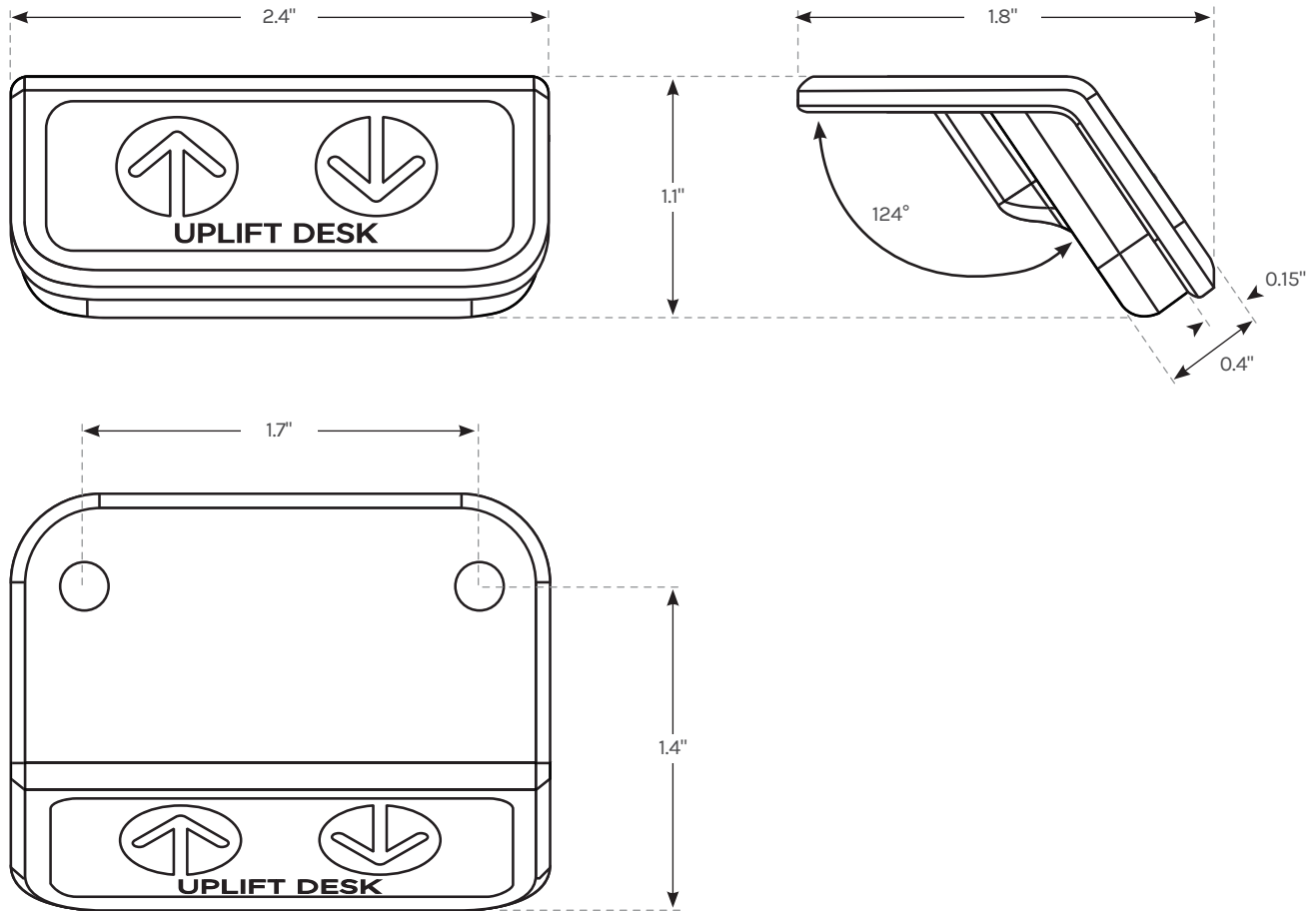



# Basic Angled Keypad

FRM002

Specifications



<b>Functions</b>	Basic up/down desk control
<b>Control box compatibility</b>	UPLIFT Desk Control Boxes versions 2, 3, 4, and up
<b>Housing material</b>	Molded plastic (Black)
<b>Dimensions</b>	2.4" W x 1.8" D x 1.1" H
<b>Cable length</b>	60"
<b>Shipping dimensions and weight</b>	3" L x 3" W x 3" H, 1 lb when sold separately, otherwise is shipped inside consolidated boxes
<b>Warranty</b>	15 year

 **Angled Face for Easy Viewing**



Copyright Notice: This guide is a component of this UPLIFT Desk product. This guide is a part of the scope of delivery, even if the item is resold. This guide is also available on the UPLIFT Desk website: [upliftdesk.com](http://upliftdesk.com). These specifications are subject to United States copyright law.