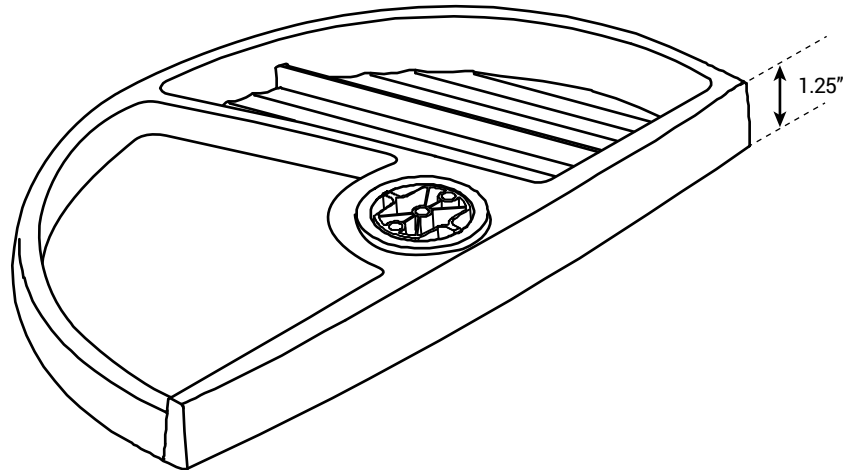
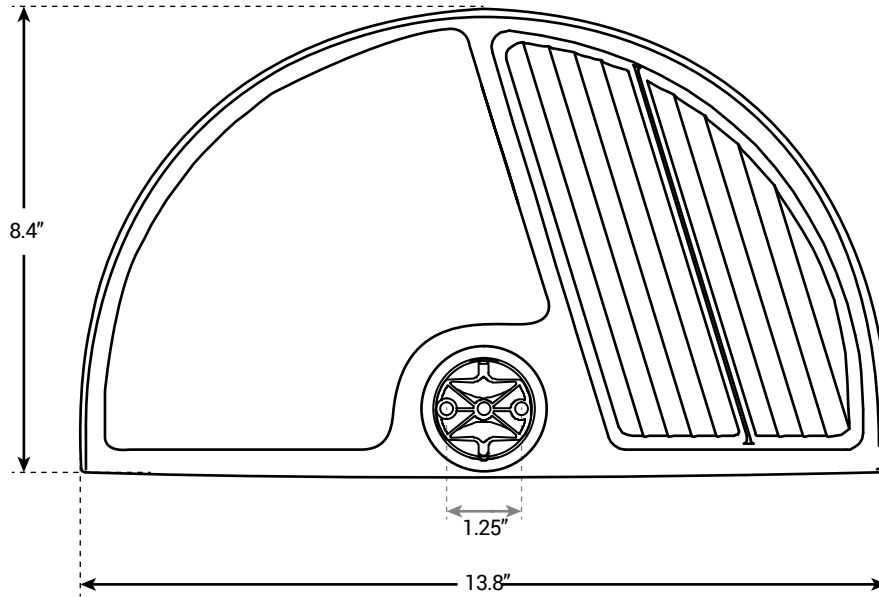


UPLIFT HALF-CIRCLE DRAWER

UPLIFT DESK®

Specifications



CAPABILITIES

Minimum desktop thickness ... 1" thick

Warranty 1 year

FEATURES

- Integral storage compartments offer space for pens, pencils, sticky notes, and other small items
- Low profile minimizes under-desk footprint and allows you to hide drawer under desktop when not in use
- Rotating design allows for tray to be opened or closed by pushing on either side