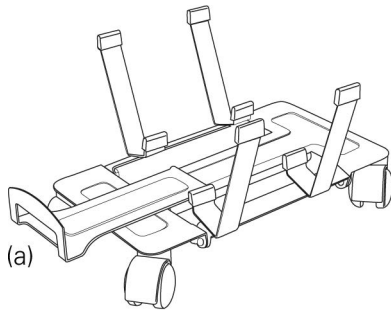
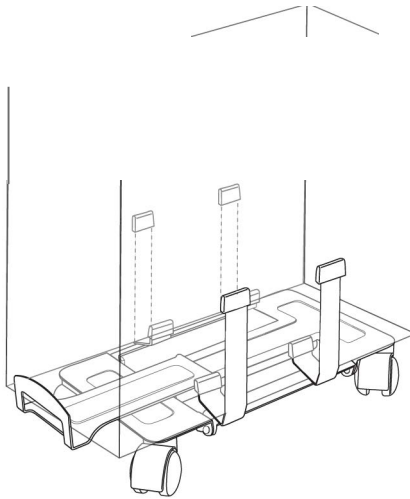


CPU Dolly Usage Instructions



Step 1: Open arms of CPU Dolly and attach Front Handle (a) as shown by placing bolt through one of three holes on base (depending on desired handle extension) and attaching plastic screw knob to bolt.



Step 2: Place CPU into unit. The arms will automatically close to secure the CPU in place.

available at:



800.531.3746

info@thehumansolution.com
thehumansolution.com

