

Keyboard System Installation Instructions

Package Contents:

Keyboard mechanism (1)

Track (1)

Keyboard platform (1)

End Cap (1)

Round head screws (12)

Flat head screws (4)

Hex nuts (4)

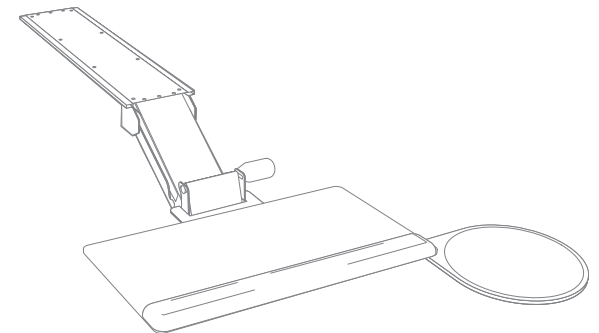
Cord clips (2)



available at:



800.531.3746
info@thehumansolution.com
thehumansolution.com

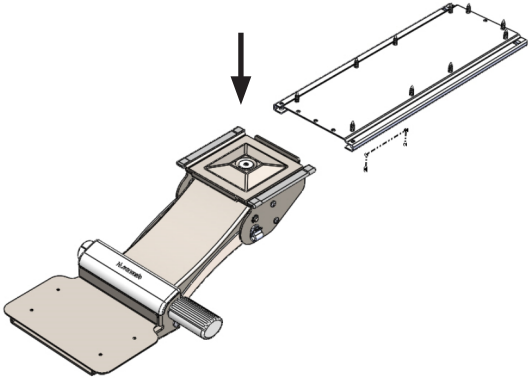


*For use with all Humanscale
Keyboard Systems.*



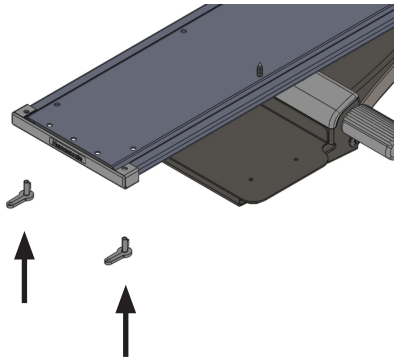
STEP 1

Affix track to underside of desk using round head screws provided in hardware bag. Then, slide mechanism into track by aligning track glides with the track.



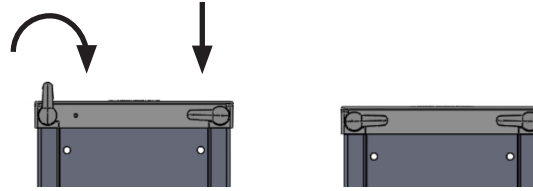
STEP 2

Slide mechanism all the way in until it hits the stoppers in the back of the track. Add End Cap to front of track, making sure that it slides into the track without interference.



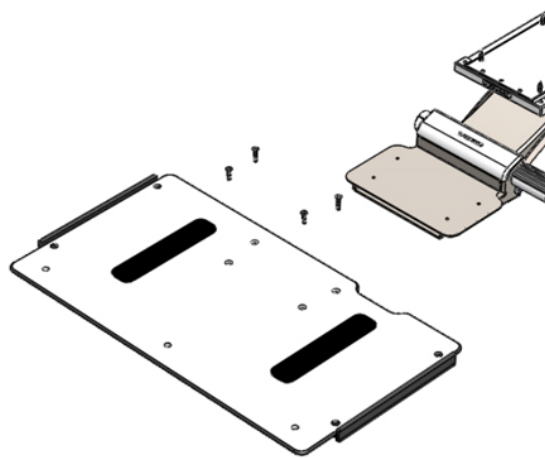
STEP 3

Add buttons into the End Cap and track holes and turn 45 degrees inward.



STEP 4

Attach keyboard platform onto the mechanism using flat-head screws provided in hardware bag.



STEP 5

Affix palm support onto keyboard platform.

Add mouse assembly by sliding into left track (for left-handed users) or right track (for right handed users) on the side of keyboard platform. This is only applicable for keyboard platforms with external mouse assembly option.

