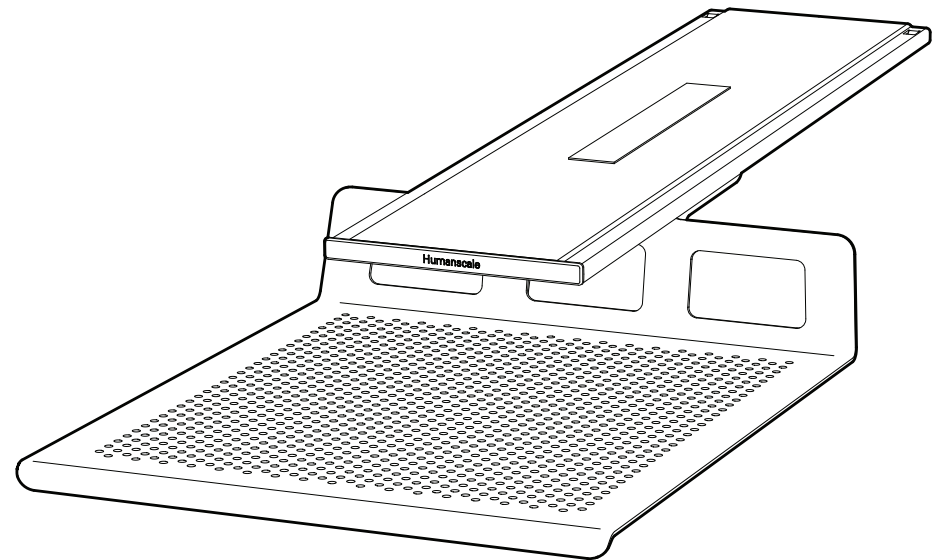




Creating a
more comfortable
place to work.



available at:

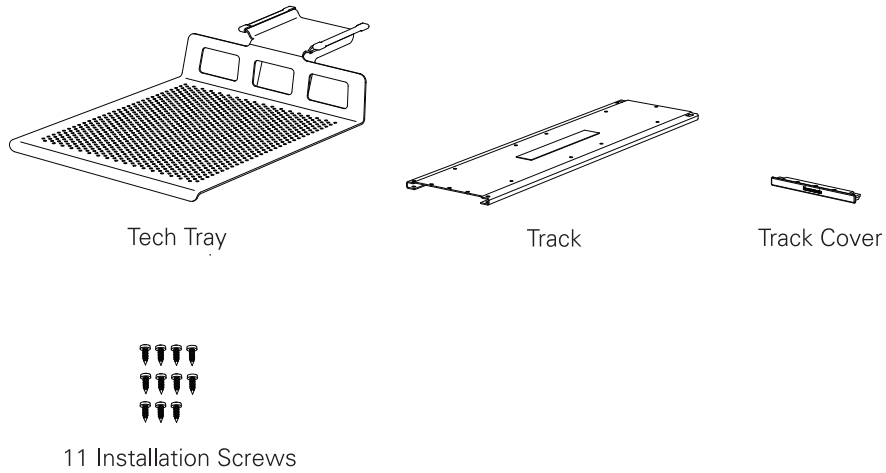


800.531.3746
info@thehumansolution.com
thehumansolution.com

HSITT0610

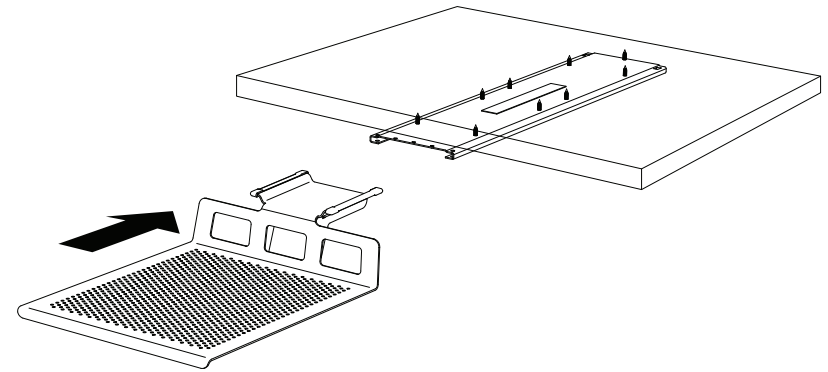
Tech Tray
Installation Instructions

TECH TRAY INSTALLATION HARDWARE



STEP 2: INSTALL TECH TRAY

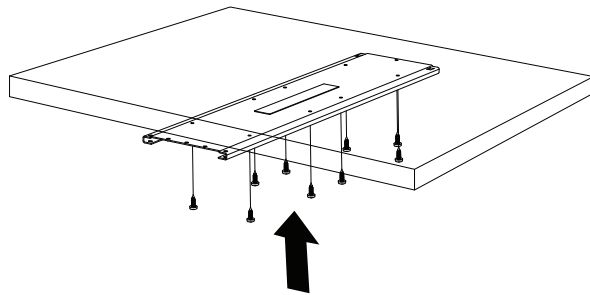
Slide Tech Tray into Track as shown.



STEP 1: INSTALL TRACK

Remove tape backing from Track and position Track on the underside of the desktop approximately 1/2" from the edge of the desk with the tabs in the back. Install using 9 Installation Screws."

Note: Do not fasten screws through the three holes at the front of Track.



STEP 3: INSTALL TRACK COVER

Place Track Cover over the front of Track. Fasten 2 remaining Installation Screws through Track Cover and into the desktop.

