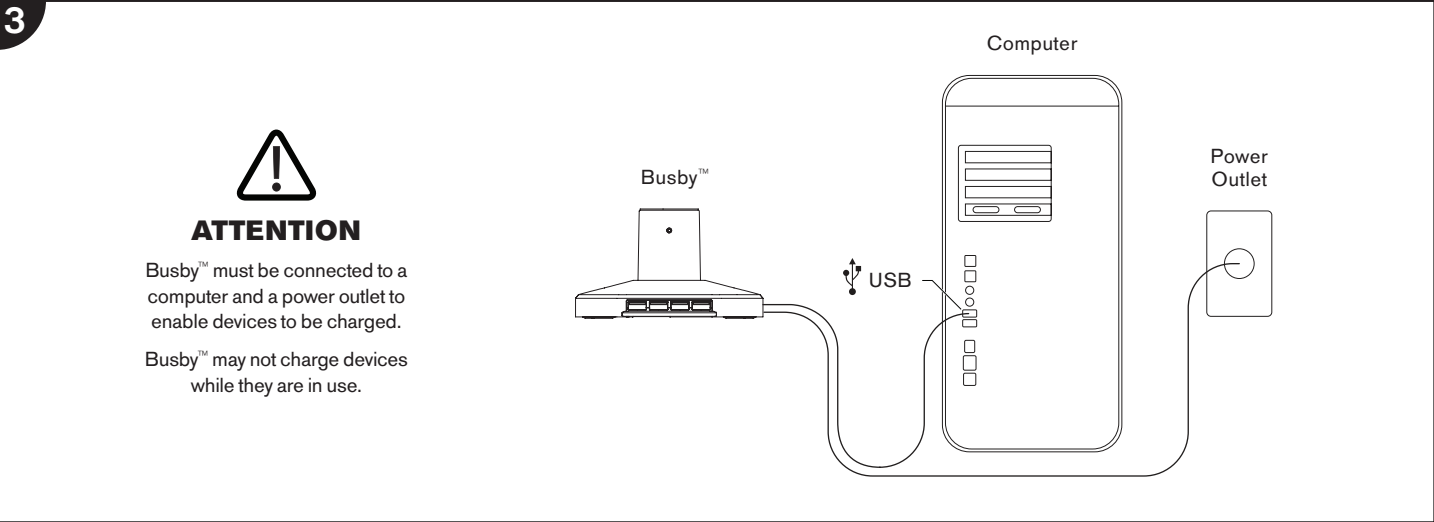
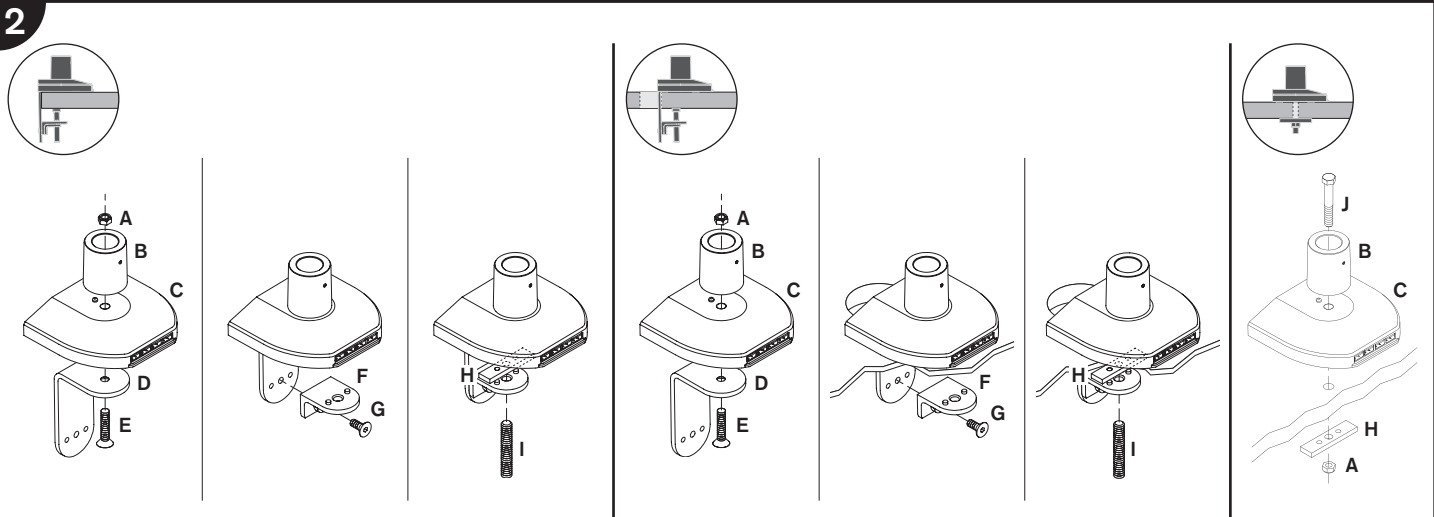
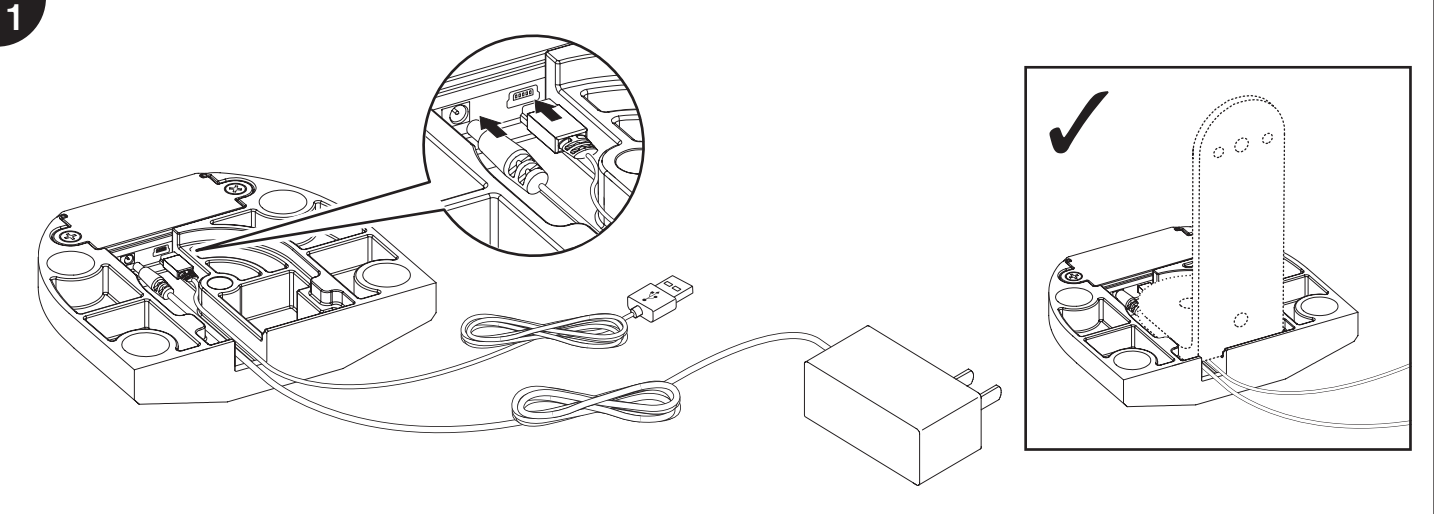
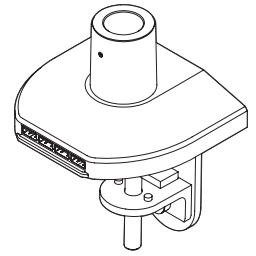
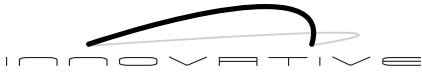


BUSBY™ 8451


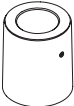

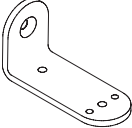
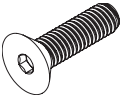
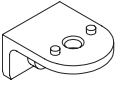
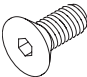
Installation Instructions

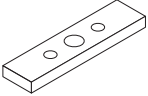
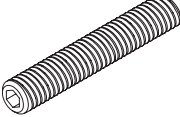
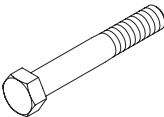
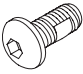
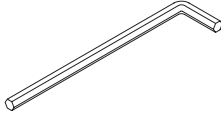





BUSBY™ 8451

Parts List

ITEM	DESCRIPTION / PART NO.	QUANTITY
A 	3/8-16 Nylon Stop Nut 701418	1
B 	Mount Column 401328	1
C 	Busby™ Base Plate 410732	1
D 	Large "L" Bracket 702828	1
E 	3/8-16 x 1-3/4" Flat Socket Cap Screw 1 710644	
F 	Small "L" Bracket 701116	1
G 	3/8-16 x 7/8" Flat Socket Cap Screw 1 701799	

ITEM	DESCRIPTION / PART NO.	QUANTITY
H 	Rectangular Spacer 701544	1
I 	1/2-13 x 3" Socket Set Screw 1 701126	
J 	3/8-16 x 2-1/2" Hex Head Bolt 1 700268	
K 	3/8-16 x 7/8" Button Socket Cap Screw 1 701122	
L 	7/32" Allen Wrench 701127	1
M 	3/32" Allen Wrench 700146	1

available at:



800.531.3746

info@thehumansolution.com

thehumansolution.com