

Model 9110

LCD Wall Mount



Hang your flat panel on the wall to save maximum space. Allows pivot and tilt. Or, add optional extender arms to allow even greater flexibility and range.

FEATURES

- ▲ Reposition the monitor with one hand—no knobs to turn.
- ▲ Monitor pivots 90 degrees for portrait to landscape viewing.
- ▲ Tilt monitor up and down 30 degrees.
- ▲ Compatible with all VESA® monitors—includes 75mm and 100mm VESA® mounting plates.
- ▲ 4" and 8" extension arms are available; can be combined to increase extension up to 18".



Adjust monitor for preferred viewing angle



Add optional extender arms to allow even greater flexibility and range

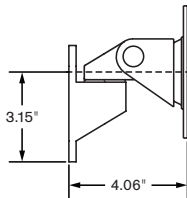
Model 9110

Specifications



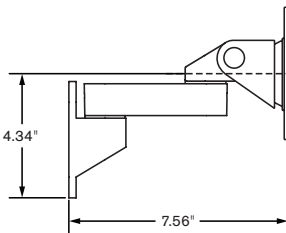
9110

45 lbs
max



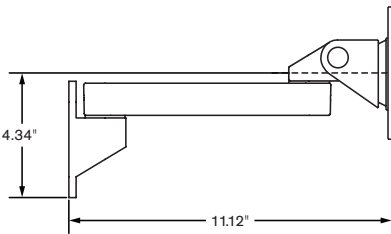
9110-4

38 lbs
max



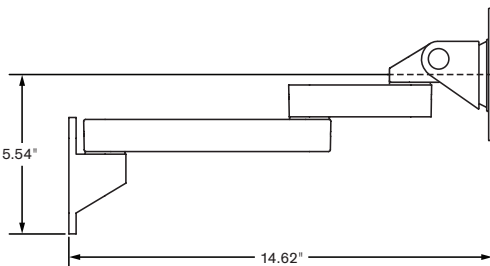
9110-8.5

28 lbs
max



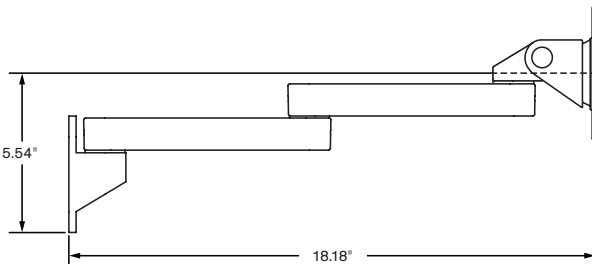
9110-8.5-4

22 lbs
max

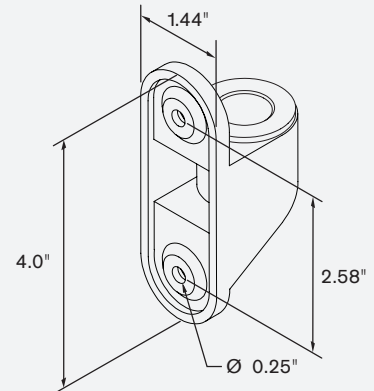


9110-8.5-8.5

18 lbs
max



BOLT PATTERN



Monitor pivot Landscape to portrait
 Monitor compatibility VESA® 75mm and 100mm

available at:

 **humansolution®**

800.531.3746

info@thehumansolution.com
 thehumansolution.com