

# Model 9189

Adjustable Through-Counter Mount



This height-adjustable mount passes through the counter. Integrated cable management keeps cables safe and out of view. Three sizes provide height adjustment ranging from 12" to 36".

## FEATURES

- ▲ Supports monitors, signature capture devices, kiosks and more
- ▲ Tube passes through counter
- ▲ Pivot and turn monitor – lock monitor in place if desired
- ▲ Internal cable routing – cables pass through counter, remaining out of view
- ▲ Durable construction stands up to retail use and abuse
- ▲ Fast setup



Quickly adjust monitor height



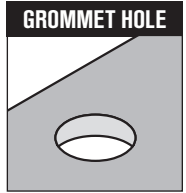
Easily tilt monitor to desired angle



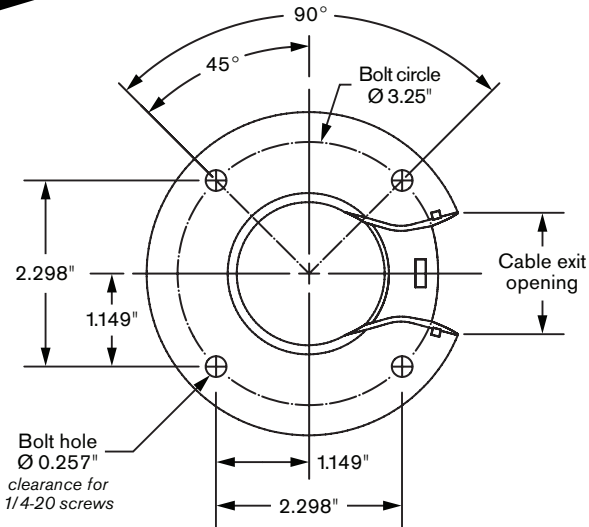
Keep cables safe and out of view with Innovative's integrated cable management

# Model 9189

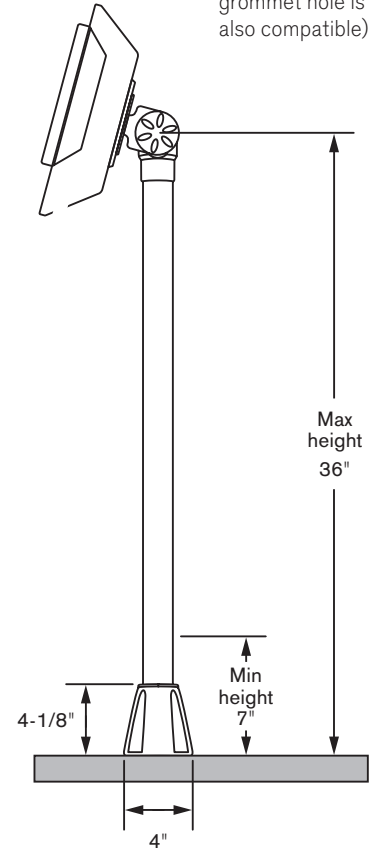
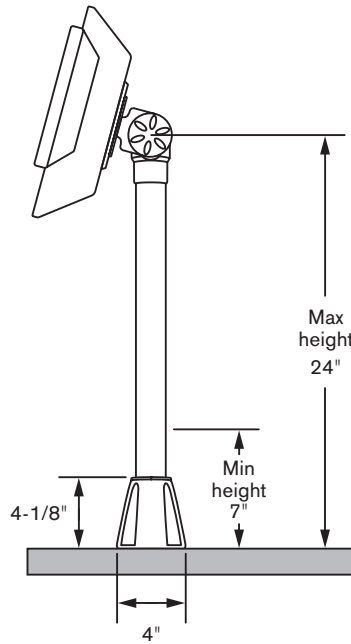
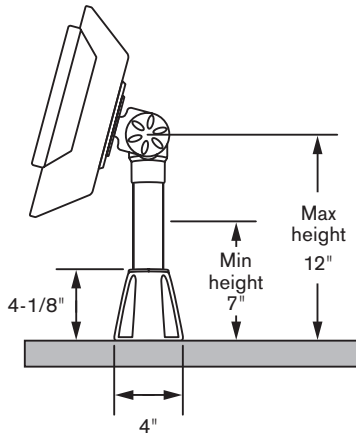
## Specifications



1-13/16" minimum grommet hole is needed for pole to pass through counter  
(2-3/8" standard grommet hole is also compatible)



**BOLT PATTERN**  
Bottom View of Mount



MODEL	9189-12	9189-24	9189-36
HEIGHT RANGE	7" - 12"	7" - 24"	7" - 36"
MONITOR WEIGHT	Up to 25 lbs	Up to 25 lbs	Up to 25 lbs

Reference dimensions; subject to change without notice. Consult IOP for latest information.

available at:



800.531.3746

info@thehumansolution.com

thehumansolution.com