

STEP 1 | MOUNTS.....Page 3

STEP 2 | CENTER BEAM.....Page 4

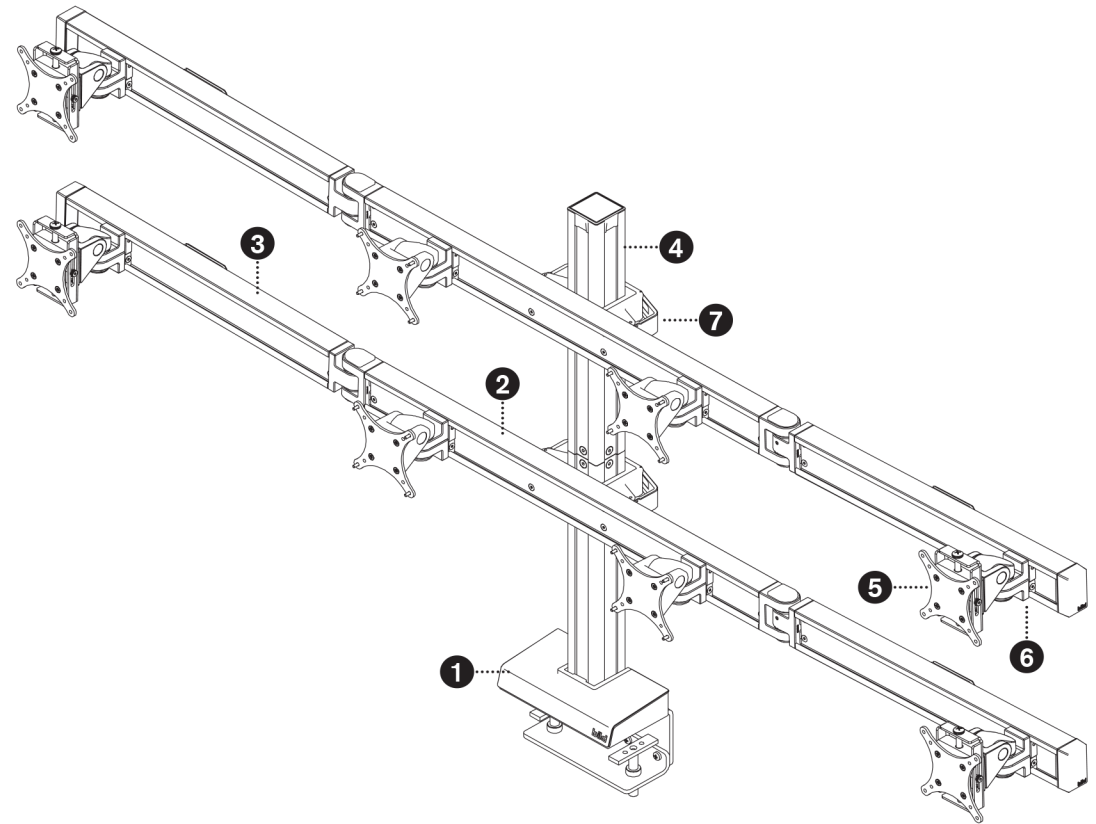
STEP 3 | EXTENSION BEAMS *(optional)*.....Page 6

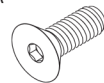



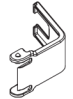
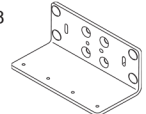


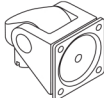

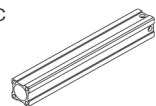
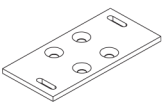
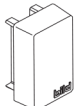
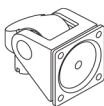

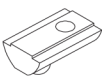

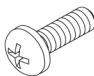
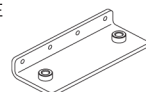



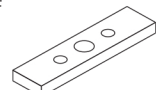

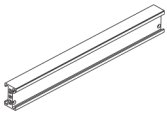

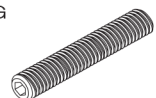
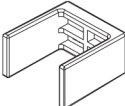
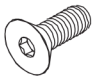

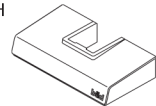
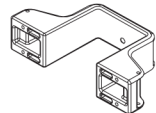
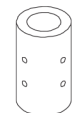
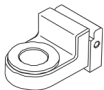
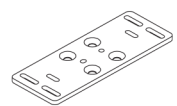
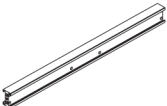


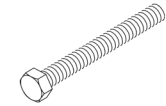
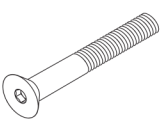


STEP 4 | DUAL TIER COLUMN *(optional)*.....Page 7

STEP 5 | MONITOR TILTER.....Page 8

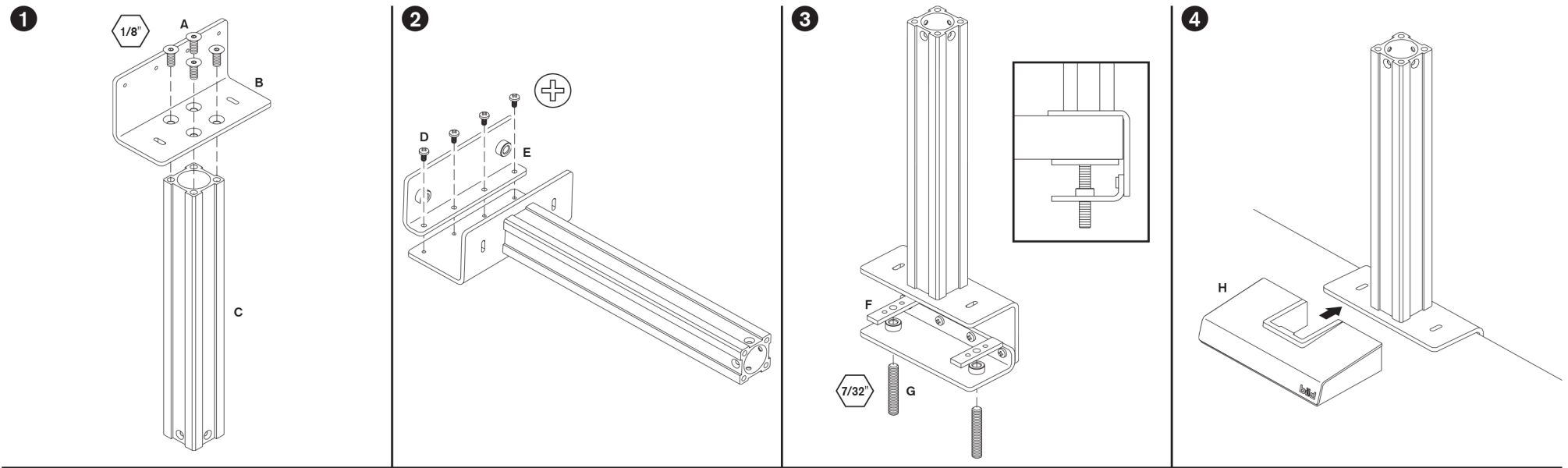
STEP 6 | MONITOR CUPS.....Page 9

STEP 7 | CABLE MANAGEMENT.....Page 10

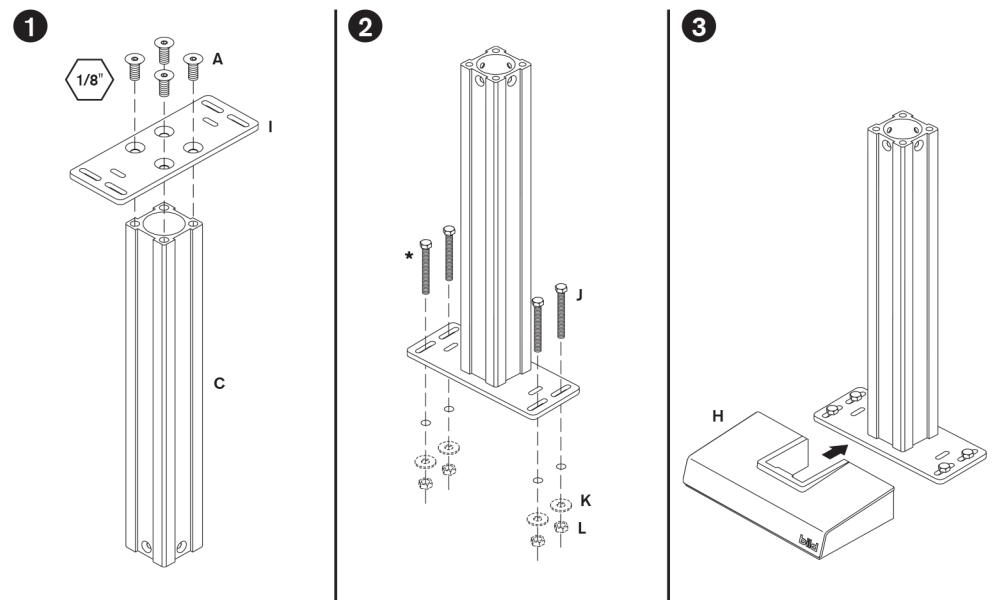


<p>A  3/8-16 X 1" FHSCS</p>	<p>K  Thru Mount Washer</p>	<p>U  1/8" Allen Wrench</p>	<p>EE  75/100 mm VESA Addapter</p>	<p>OO  Column Cable Clip</p>
<p>B  Large "L"</p>	<p>L  Thru Mount Nut</p>	<p>V  7/32" Allen Wrench</p>	<p>FF  Standard Monitor Tilter</p>	<p>PP  Extension Beam Cable Clip</p>
<p>C  Static Column</p>	<p>M  Rail Mount Base Plate</p>	<p>W  End Cap</p>	<p>GG  HD Monitor Tilter</p>	
<p>D  1/4-20 x 1/2" PhPHS</p>	<p>N  Rail Mount Drop-In Nut</p>	<p>X  Column Cap</p>	<p>HH  M4 x 12mm PhPHS</p>	
<p>E  Small "L"</p>	<p>O  Rail Mount Knob</p>	<p>Y  Hinge</p>	<p>II  QR VESA Adapter</p>	
<p>F  Spacer</p>	<p>P  Rail Mount Washer</p>	<p>Z  Extension Beam (10" or 20")</p>	<p>JJ  QR Monitor Tilter</p>	
<p>G  1/2-13 x 3" Set Screw</p>	<p>Q  Column Clamp Spacer</p>	<p>AA  10-32 x 9/16" FHSCS</p>	<p>KK  Fine Tune Adjust Adapter</p>	
<p>H  Base Plate Cover</p>	<p>R  Column Clamp</p>	<p>BB  Column Link</p>	<p>LL  Monitor Cup</p>	
<p>I  Thru Mount Base Plate</p>	<p>S  Center Beam (30")</p>	<p>CC  1/4-20 x 1/2" FHSCS</p>	<p>MM  Dog Washer</p>	
<p>J  1/4-20 x 2-1/2" Hex Head Bolt</p>	<p>T  FHSCS 10-32 x 1-1/2"</p>	<p>DD  10-32 x 3/8" PhPHS</p>	<p>NN  10-32 x 1/2" FHSCS</p>	

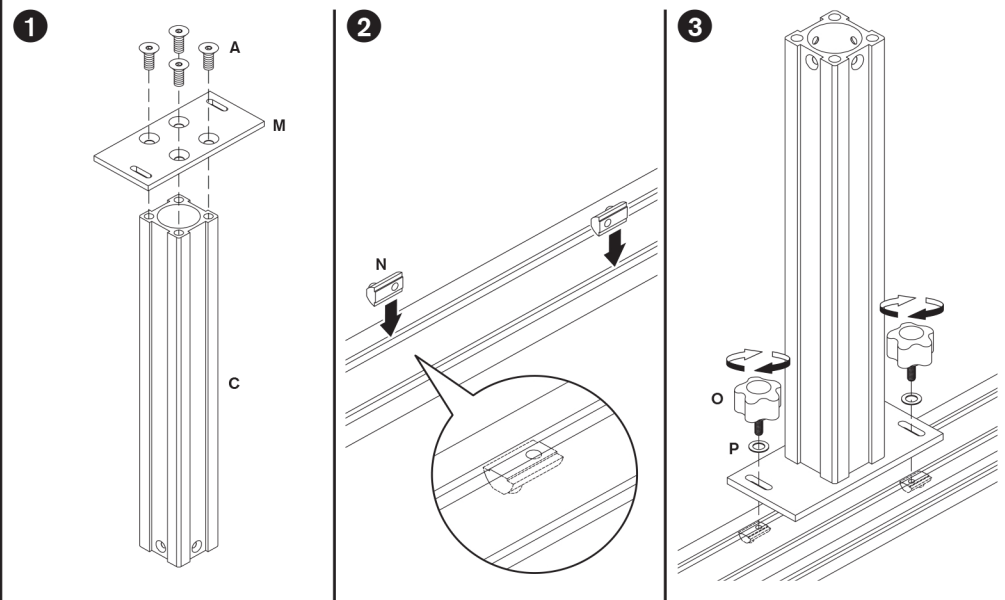
CLAMP MOUNT



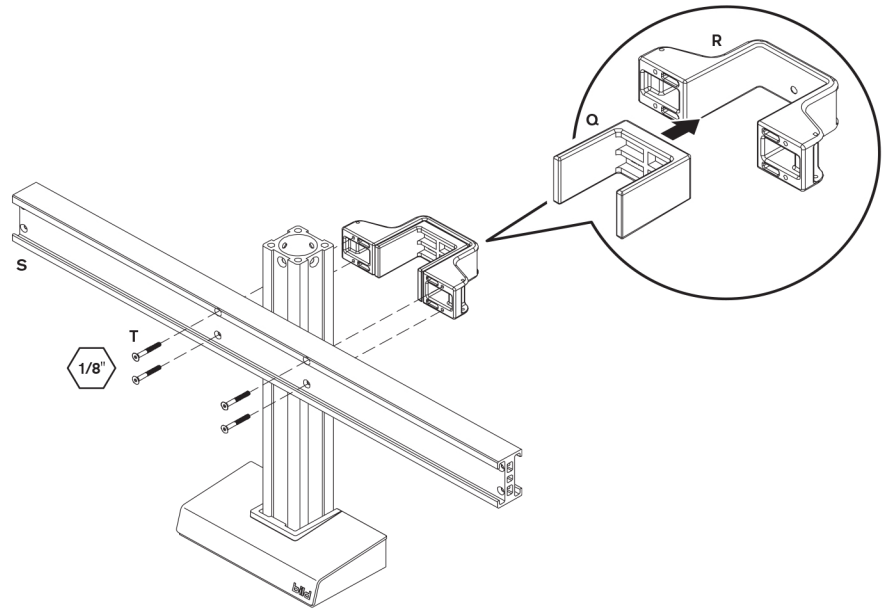
THRU MOUNT



RAIL MOUNT

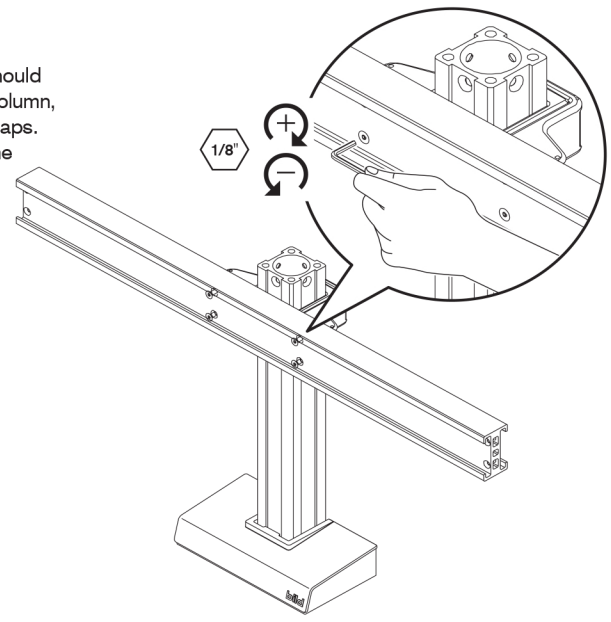


1

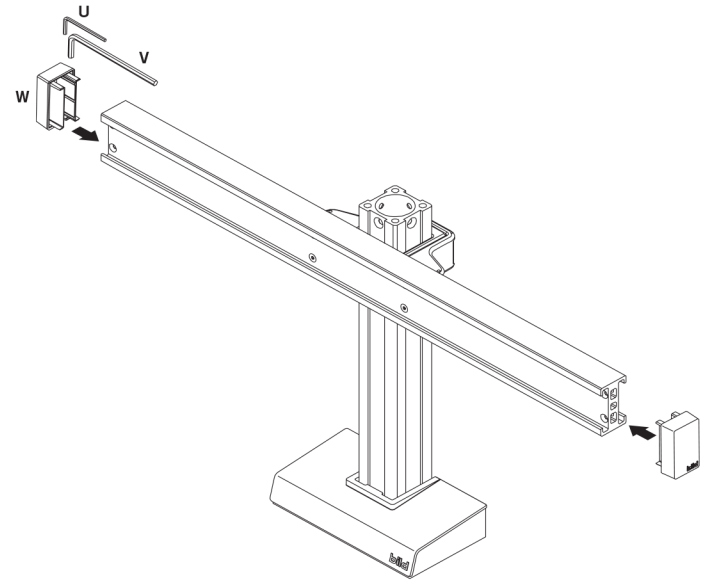


2

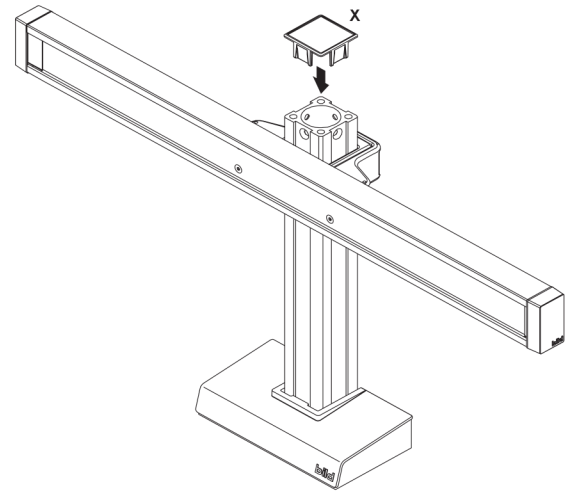
NOTE: The beam should sit flush against the column, ensure there are no gaps. Also, it is important the center beam is level.

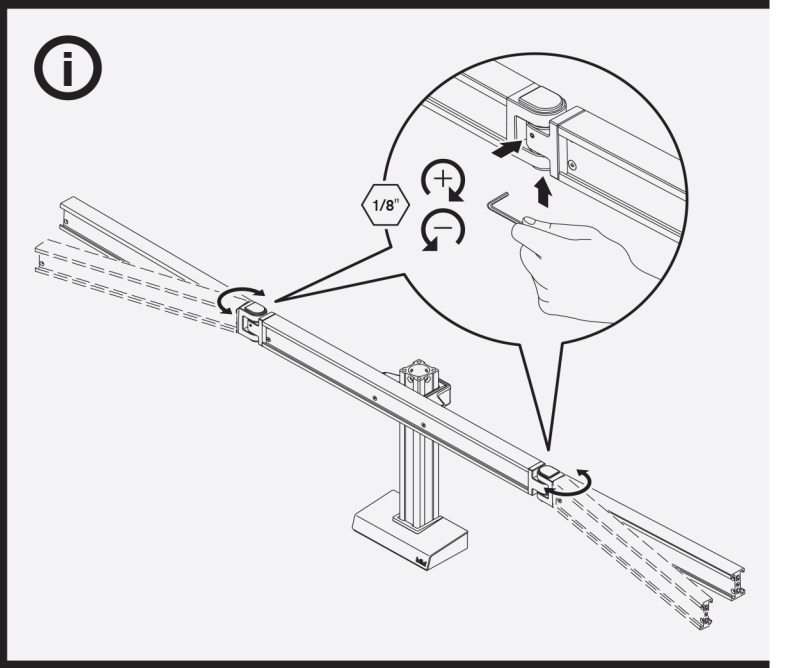
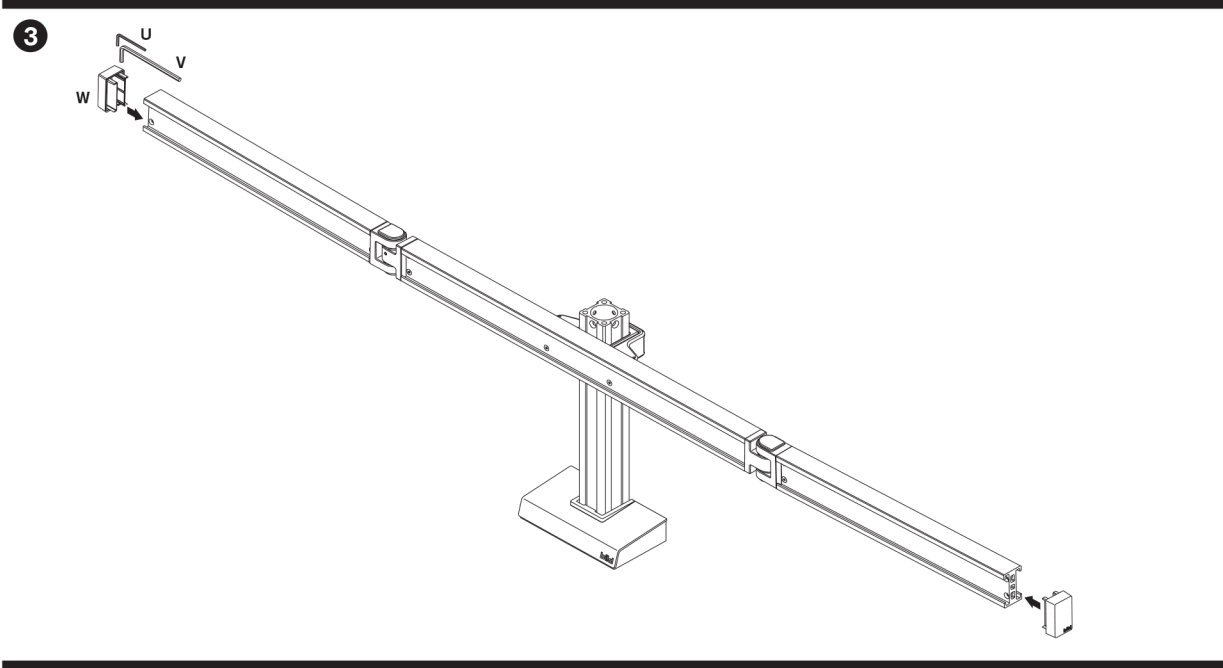
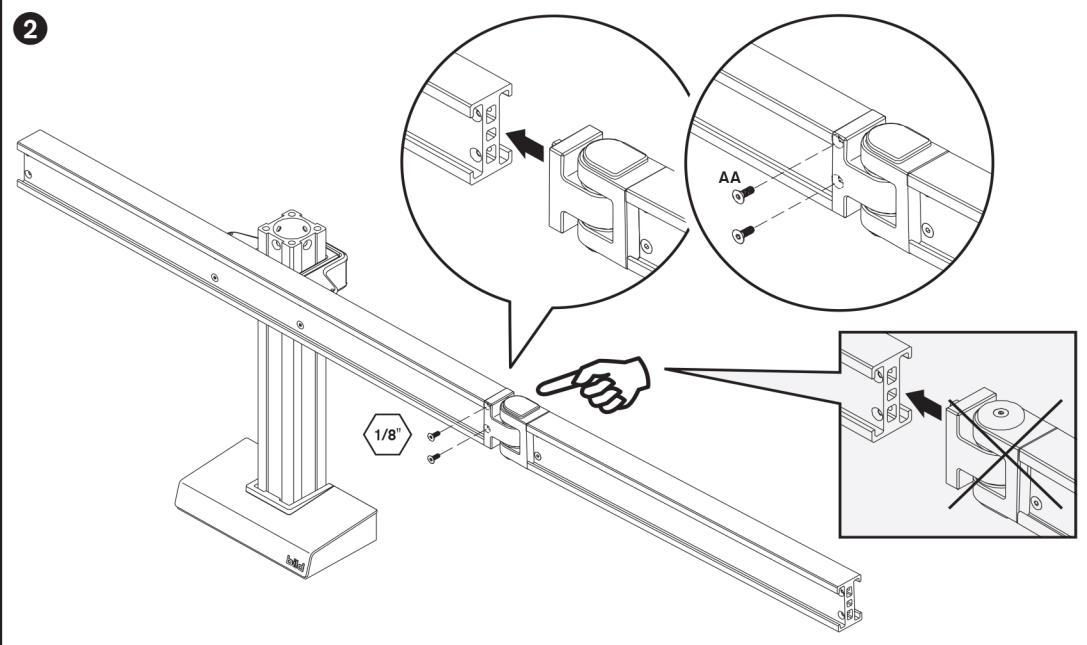
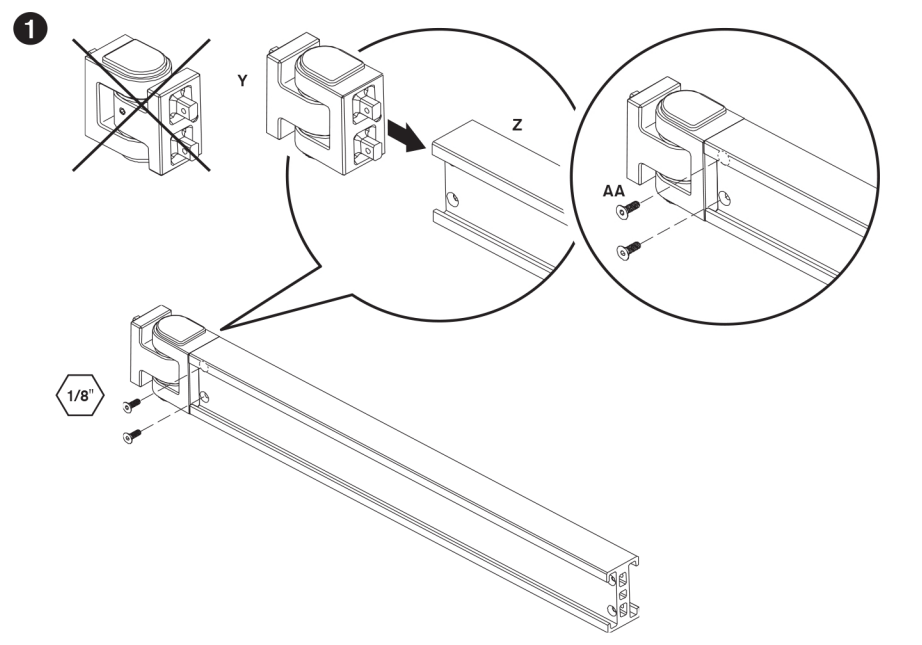


3

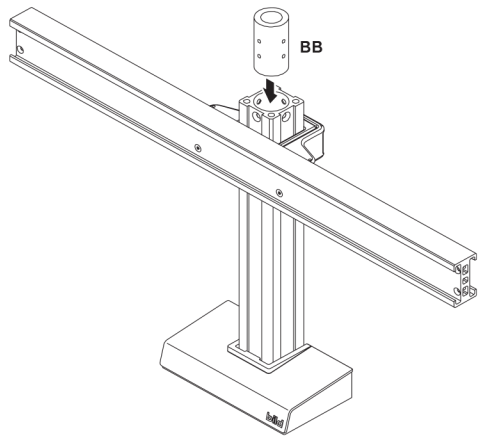


4

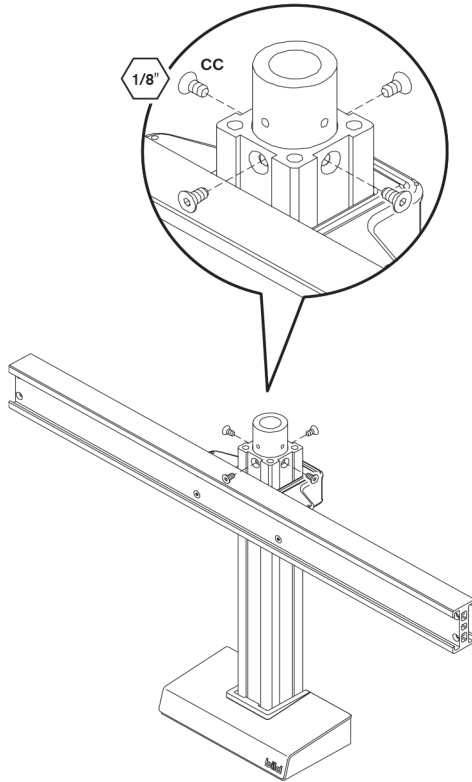




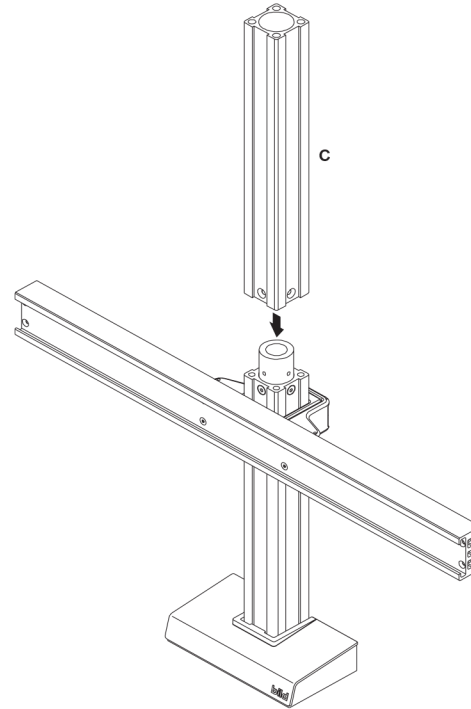
1



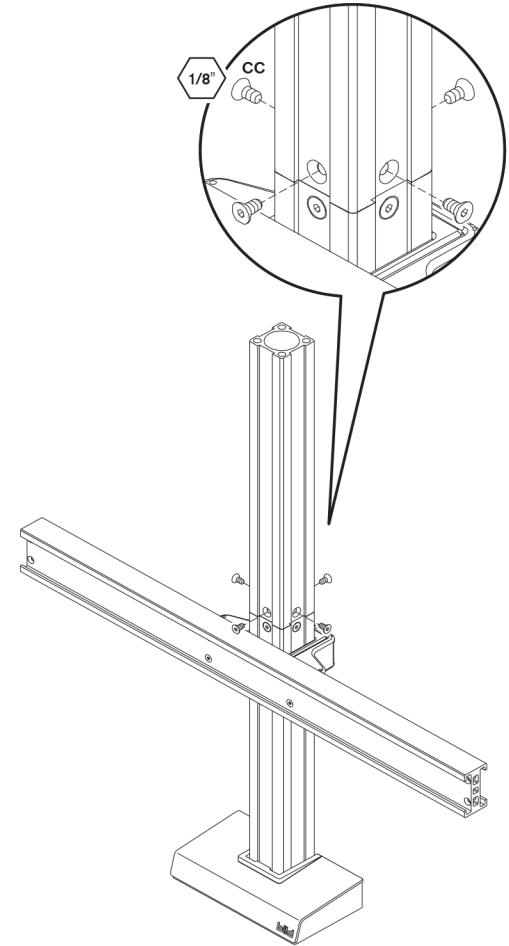
2



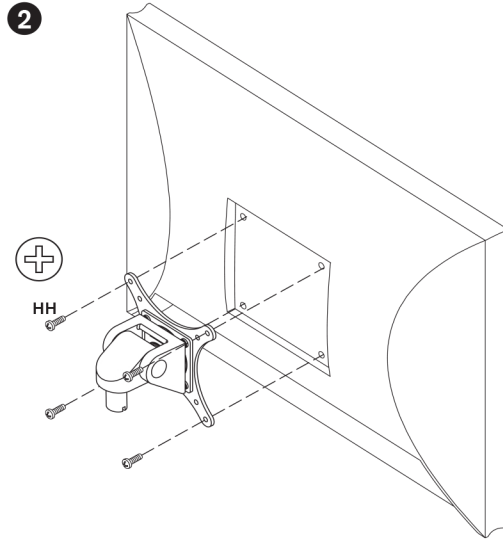
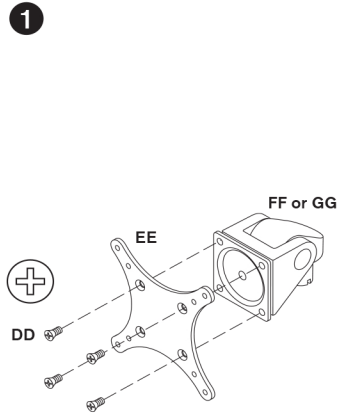
3



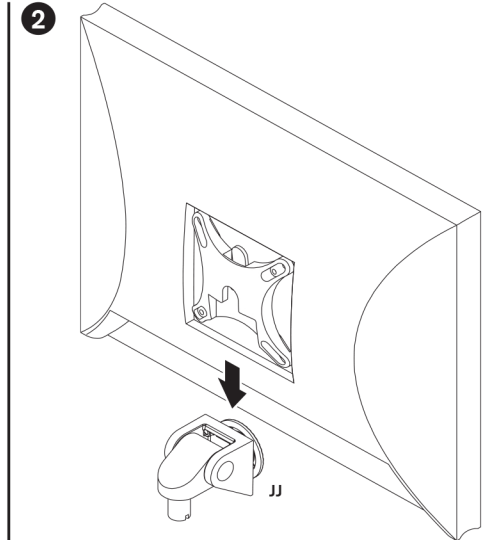
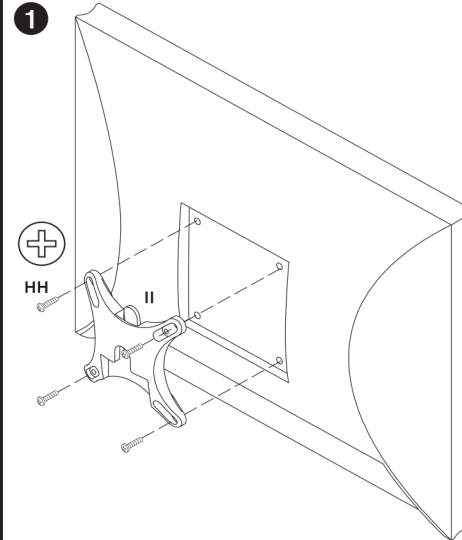
4



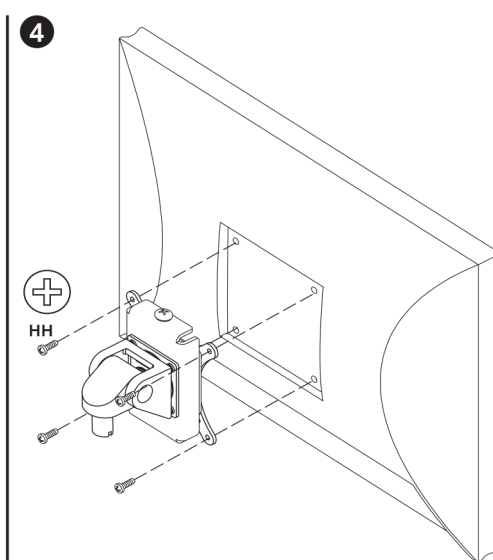
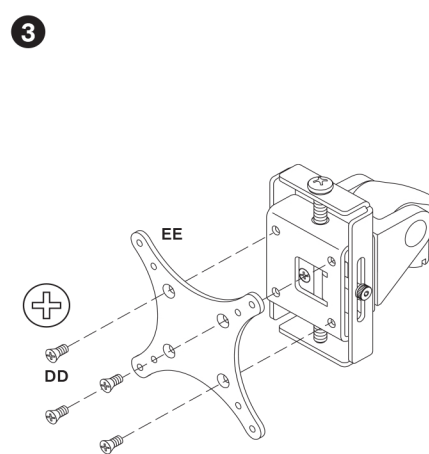
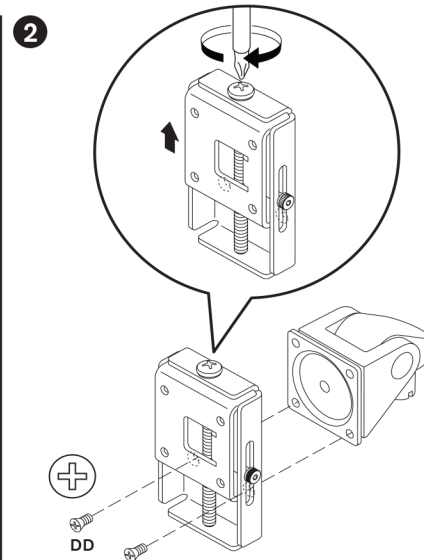
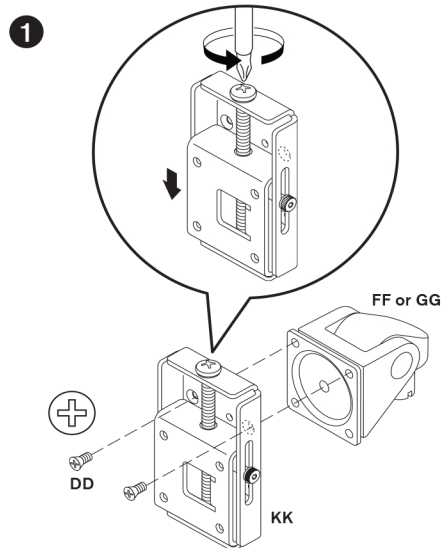
STANDARD TILTER & SPRING TILTER



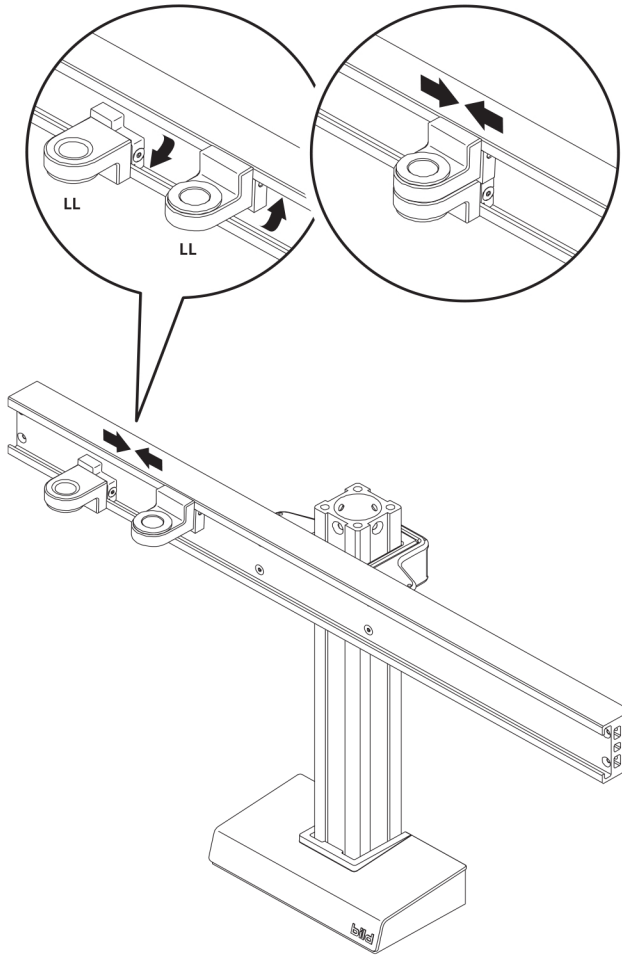
QUICK RELEASE TILTER



FINE TUNE HEIGHT ADJUST TILTER



1



2

