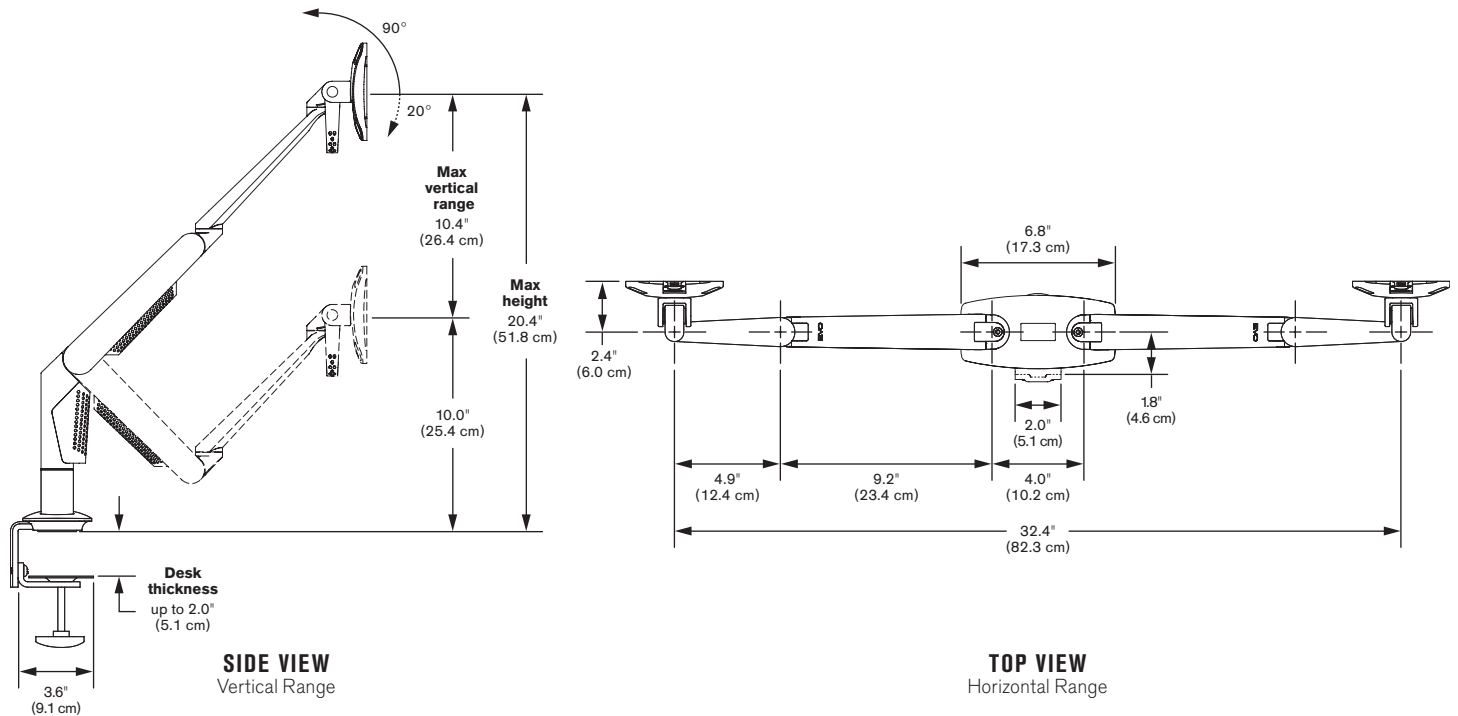


Dual EVO[®] Mount

Specifications



ARM CAPABILITIES

Vertical range	+/- 5.2" (13.2 cm) from horizontal
Horizontal range, per arm	18.6" (47.2 cm)
Rotation	360° at two joints, 180° at base
Monitor tilt	90° up, 20° down from center
Monitor pivot	Landscape to portrait
Monitor compatibility	VESA [®] 75mm and 100mm
Cable management	Cables are clipped beneath arm
Mounting options	Desk Edge, Grommet, Thru-Desk
Monitor weight (at standard monitor depths)	7 - 20 lbs (3.2 - 9.0 kg) per monitor

MOUNT CONFIGURATIONS

