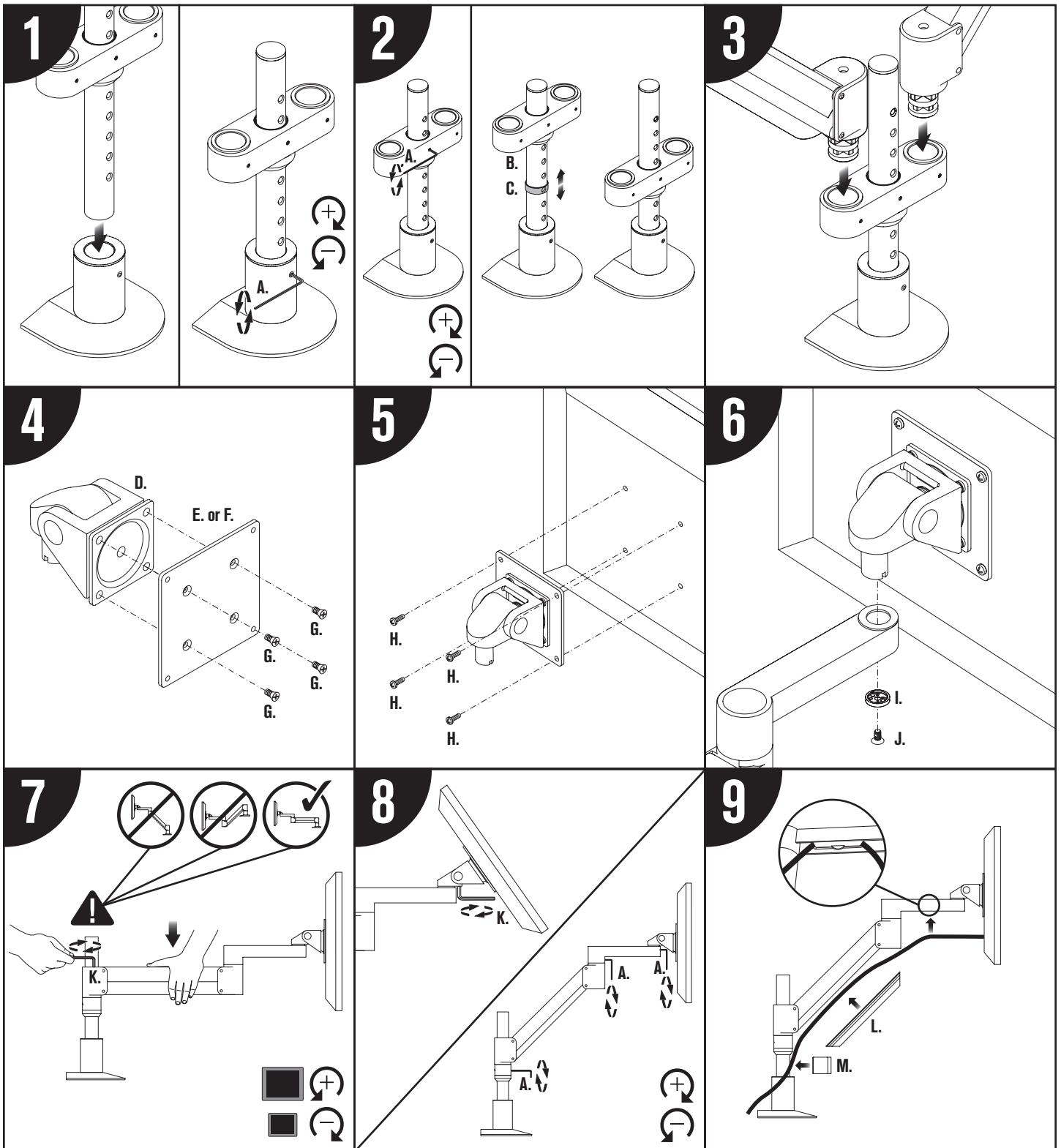


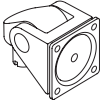

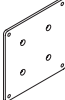
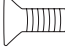
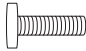
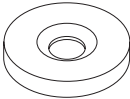
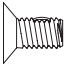

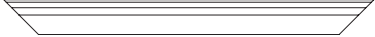
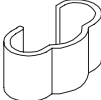


Model 9198-2/Model 9198-4 Installation Instructions



Model 9198-2/Model 9198-4

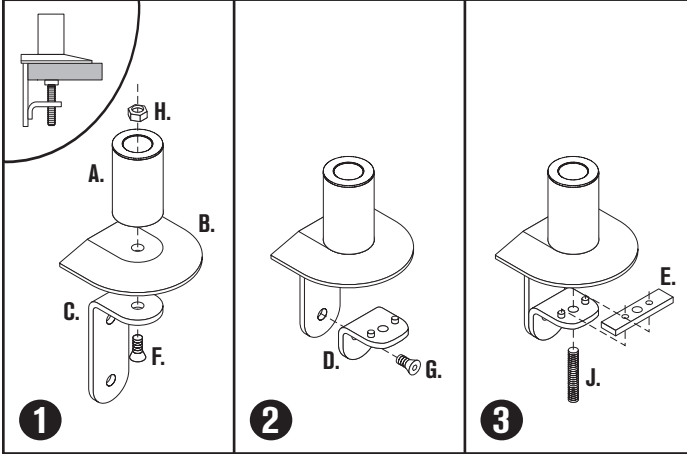
Parts List

ITEM	DESCRIPTION / PART NO.	QUANTITY	
		Model# 9198-2	Model# 9198-4
A. 	3/32" (2.388mm) Allen Wrench 700146	1	1
C. 	Pole Snap Inside Grip DX4450	1	1
D. 	Sloped Tilter 405397	2	4
E. 	75mm VESA Adapter Plate 7VESA75	2	4
F. 	100mm VESA Adapter Plate 7VESA100	2	4
G. 	10-32 x 3/8" (9.525mm) Phillips Flat Head Screw 702281	2 (4-pack)	4 (4-pack)
H. 	M4-12 Phillips Pan Head Screw 702096	8	16
I. 	Dog Washer 105189	2	4
J. 	10-32 x 3/8" (9.525mm) FPhMS with Lock Patch 705198	2	4
K. 	7/32" (5.563mm) Allen Wrench 701127	1	1
L. 	Cable Cap 102043-9.5A	2	4
M. 	Double Cable Clip 702506 (black) 702591 (silver)	1	2

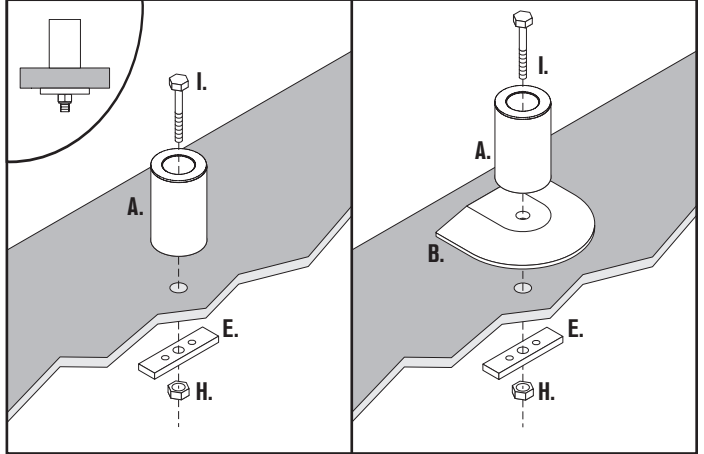
FLEXmount™ (Model 8318)

Installation Instructions

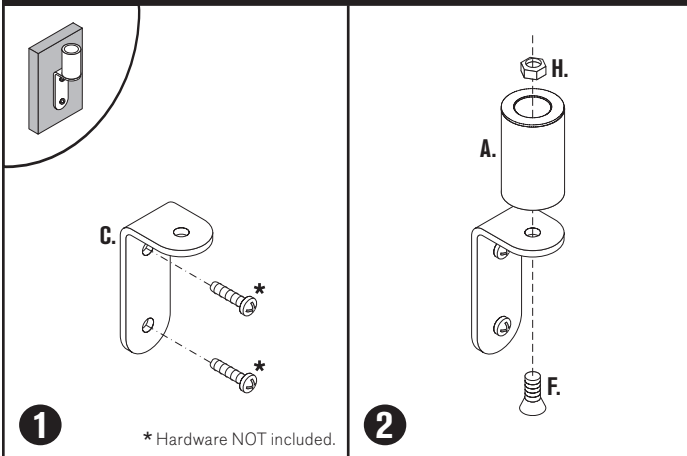
Desk Clamp



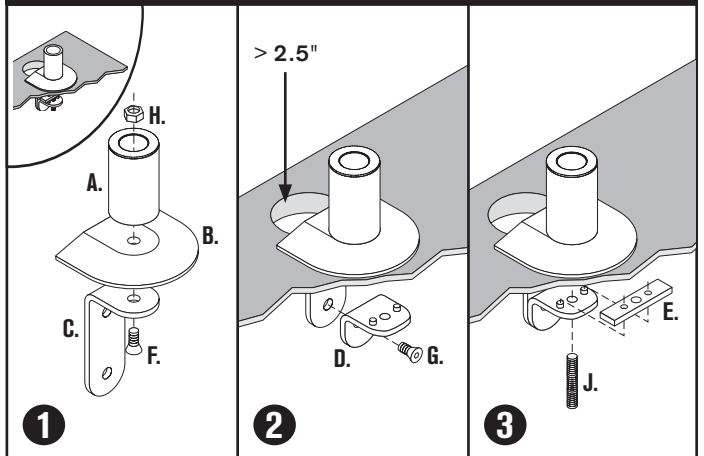
Thru-Desk



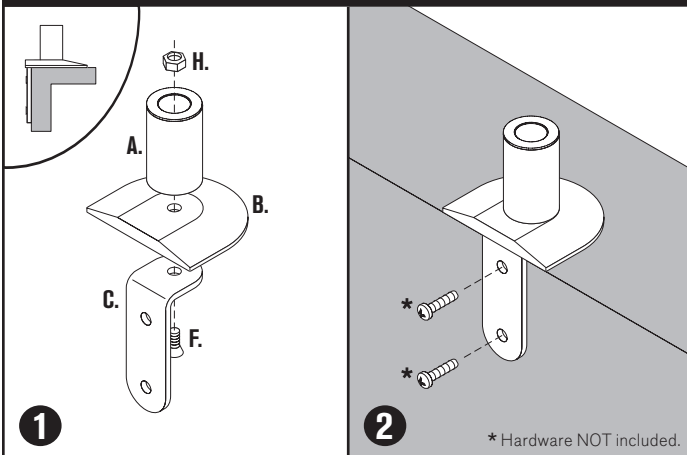
Reverse Wall Mount



Grommet Hole



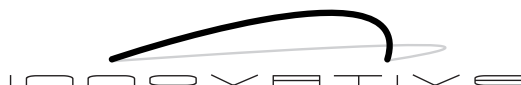
Side Bolt



available at:

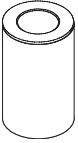
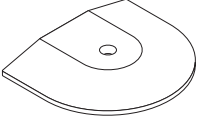
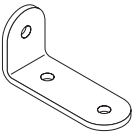
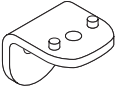
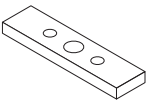
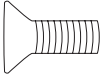
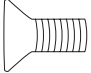
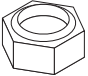
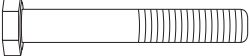
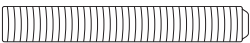
 **humansolution®**

800.531.3746
info@thehumansolution.com
thehumansolution.com



FLEXmount™ (Model 8318)

Parts List

ITEM	DESCRIPTION / PART NO.	QUANTITY
A.	 Mount Column 407602	1
B.	 Base Plate 8321	1
C.	 Large "L" Bracket 702828	1
D.	 Small "L" Bracket 701116	1
E.	 3" (76.2mm) x 3/4" (19.05mm) x 1/4" (6.35mm) Rectangular Spacer 701544	1
F.	 3/8-16 x 1-1/4" Flat Socket Cap Screw 701855	1
G.	 3/8-16 x 7/8" (22.225mm) Flat Socket Cap Screw 701799	1
H.	 3/8-16 Nylon Stop Nut 701418	1
I.	 3/8-16 x 2-1/2" (63.5mm) Hex Head Bolt 700268	1
J.	 1/2-13 x 3" (76.2mm) Socket Set Screw 701126	1