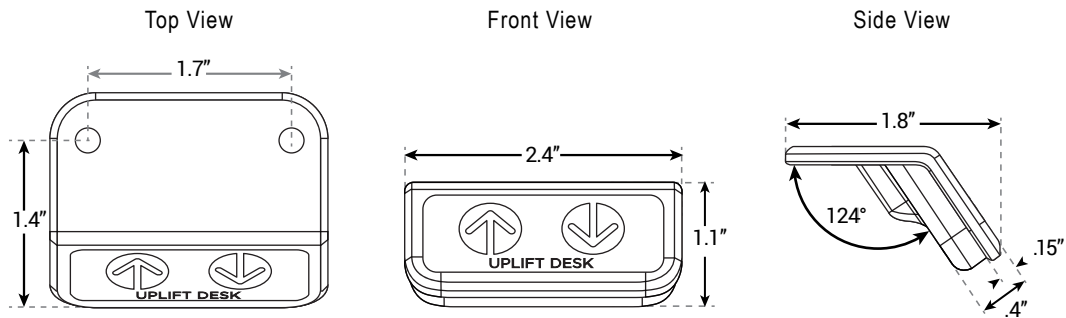
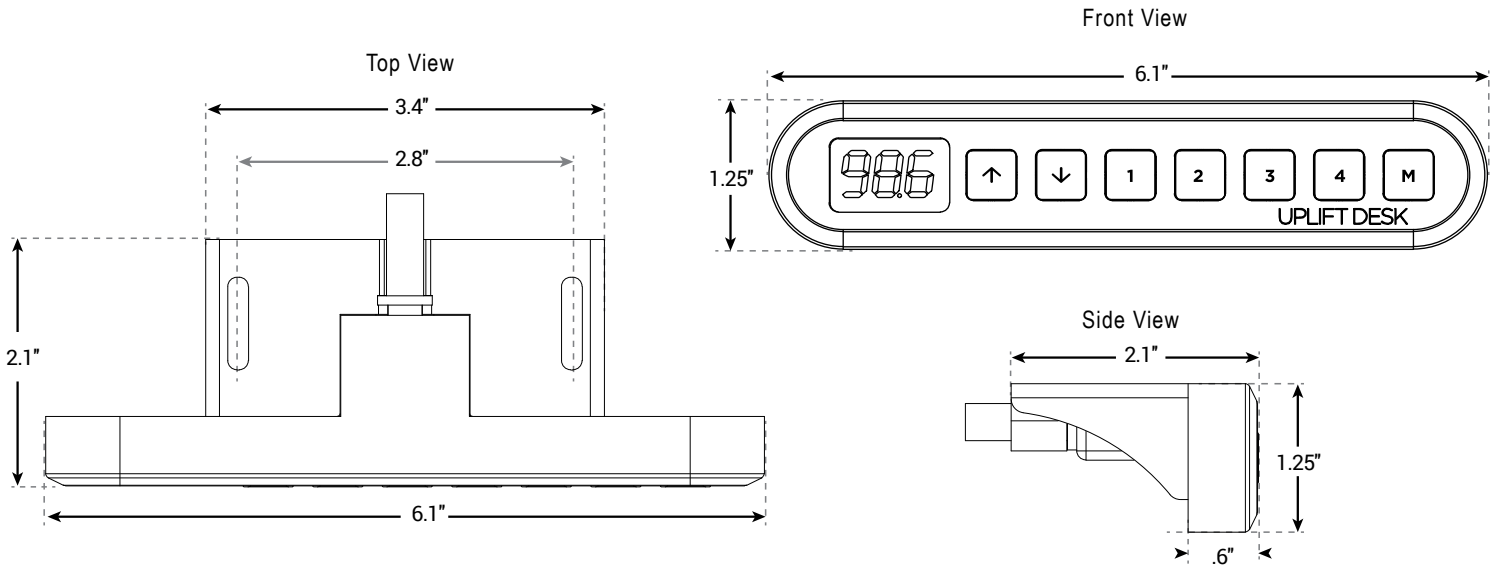


## Specifications

### STANDARD KEYPAD



### ADVANCED KEYPAD



### CAPABILITIES

Standard Cord length .....56"

Advanced Cord length .....75"

### FEATURES

- UPLIFT Desks come standard with a two-button up/down keypad. Just Push & hold the arrow. Release when desk is at desired height.
- Advanced keypads feature digital height display, and four memory presets.
- To adjust your desk to a memory preset on the Advanced keypad, press & release the numbered button & the desk will move automatically. (note: on 3 and 4-leg desks, the button must be pressed and held. They will not move automatically if pressed & released)
- You can also use the up/down arrow buttons on the Advanced Keypad for desk height adjustment.