

Copeland



Knoll

Streamlined. Dynamic. Agile.

The Copeland light, designed by Stephan Copeland for KnollExtra, integrates design dexterity with practical workplace needs at an affordable price. Efficient use of materials, a pioneering spring mechanism and novel dual-mode head create Copeland's fluid movement and streamlined profile. In keeping with the long-standing Knoll commitment to sustainable design, the Copeland light is manufactured using 75% recycled material, ships with an energy-efficient compact fluorescent bulb and can help achieve LEED® credits.

Movement and Reach

Inspired by Stephan Copeland's passion for bicycles, the articulated counter-balanced arm assembly of the Copeland light moves smoothly and easily over a wide range of motion.





Fits in Anywhere

Agile in both form and function, Copeland complements a range of workspaces — from workstations to private offices and from home offices to retail environments — while enhancing the ergonomic quality of the space. Copeland's thoughtful design makes it ideal for a variety of workplace tasks.



Dynamic Presence

The Copeland compact light, left, adds dynamic energy without being obtrusive or distracting; shown here in a home office with a Chadwick task chair and Risom lounge chair.

Adaptable to Any Environment

The Copeland desk lamp is available in black and silver and is offered in standard and compact sizes, above right.

Mounting Options

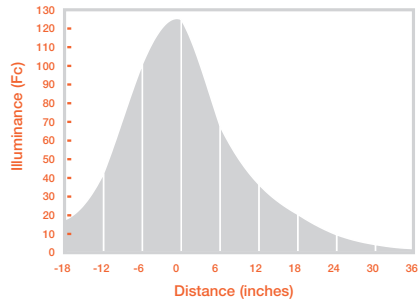
Copeland can be placed or mounted in a variety of ways. Above right: table base. Below, from left to right: panel mount, table clamp, slatwall mount, and grommet mount.



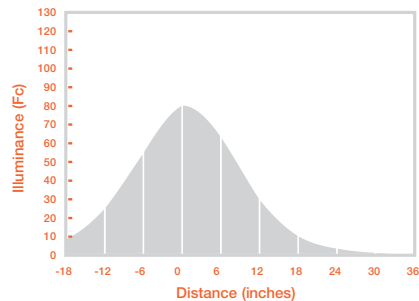


Streamlined and Efficient

With its pivoting dual-mode head, Copeland can be adjusted to create the light level needed. Copeland's sophisticated spring mechanism is housed completely within the body of its arms, which adds to the streamlined aesthetic and allows for maximum reach.



Copeland standard size light — Normal Mode Footcandle Measurement (16" mounting height)



Copeland standard size light — Inverted Mode Footcandle Measurement (16" mounting height)

Adjustable Light

The unique dual-mode Copeland head allows for a 360-degree rotation of the shade around its bulb and stationary dome. This permits the user to choose from either a broad pool of light for desktop activities or a more narrow aperture that is ideally suited for computer tasks by reducing glare to the monitor.

Multi-use, Multi-purpose

Whether you need a broad pool of light or a more focused one, Copeland's pivoting head accommodates your needs. The graphs to the left illustrate the two head position options. With a standard 15-watt compact fluorescent bulb, the Copeland standard size light has a CRI (Color Rendering Index) of 81 and a Color Temperature of 3200° kelvin.

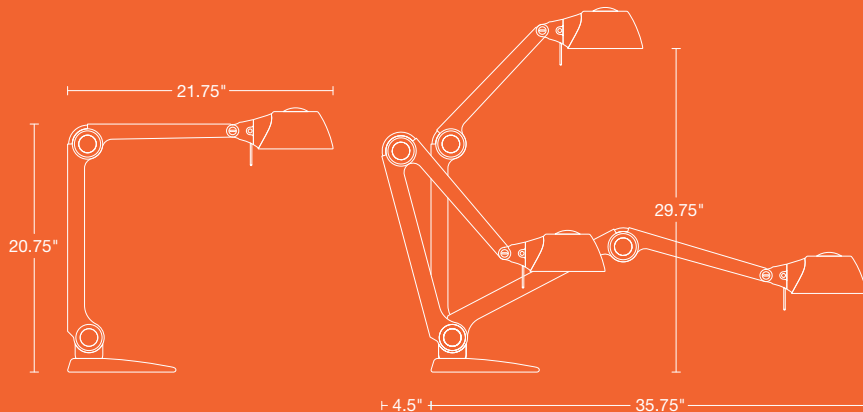
Perfect Proportions

The Copeland standard size light, right, is scaled to suit a broad range of office environments, shown here in a Currents workstation with a Life task chair and Sprite side chairs.

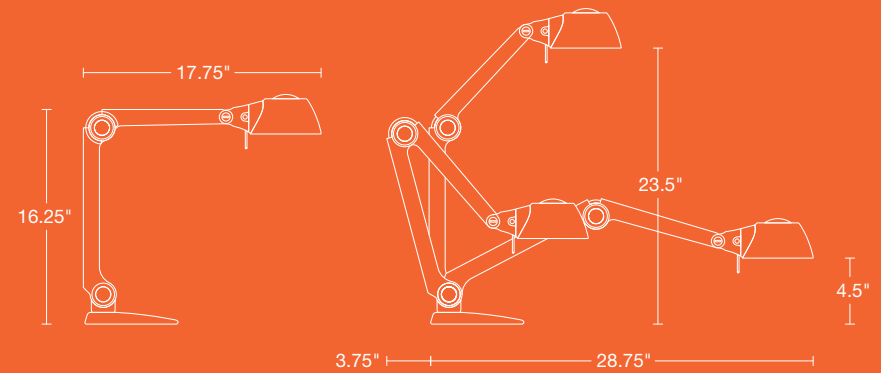


Copeland™

Streamlined. Dynamic. Agile. KnollExtra brings design dexterity to affordable lighting. Copeland is a versatile, energy efficient and athletically-inspired light that works for a multitude of daily tasks.



Copeland Standard



Copeland Compact

Versatility for the Workplace. Copeland is available in two sizes: standard size for the everyday workplace, and compact for more efficient use of space. Multiple mounting options — including table base, table clamp, panel mount, slatwall mount, and grommet mount — offer a range of solutions for different workstation needs.

Energy Efficiency. The Copeland standard size lamp is offered with an energy-efficient 15-watt compact fluorescent light bulb, and the compact size light is offered with a 13-watt compact fluorescent light bulb. Both sizes can be used with incandescent light sources, if preferred.

Knoll®



www.thehumansolution.com
info@thehumansolution.com
800.531.3746

Printed in Canada. B-CL07
©2007 Knoll, Inc. All rights reserved.