



**Generation by Knoll™**







## It's not a chair. It's a movement. Introducing Generation by Knoll™

**The first chair that lets you sit how you want.**

Generation by Knoll offers a new standard of comfort and unrestrained movement, supporting the range of postures and work styles typical of today's workplace. Designed by Formway Design, Generation takes the idea of elastic design—where a product rearranges itself in response to its user—to a new level.

Discover how Generation's flexing and supportive features enable individual expression, and explore how this revolutionary work chair reflects our commitment to environmental sustainability.

**[sithowyouwant.com](http://sithowyouwant.com)**



## A chair for a new generation of work.

### Generation by Knoll moves as you move.

The Generation by Knoll chair is the result of Formway Design's research into how people sit throughout the day. Their research, based on insights gathered on the contemporary workplace, revealed that sitting reflects a breadth of positions. Sitting upright and facing forward is just one of the many things that people do in their office chair. Recognizing that the basic assumption about office seating—that there is one optimal way to sit—was flawed, Formway and Knoll joined forces to create a chair that moves as you move. Generation doesn't force you to choose between freedom of movement and continuous support, but, instead, provides both, simultaneously.



**Freedom of movement.** Today's workplace must accommodate many generations—Baby Boomers, Generation X and Generation Y—and their different work styles and office habits. With the evolution from strictly focused, task-oriented settings to more informal gatherings, there's a premium placed on spaces where people can shift easily from activity to activity. Generation by Knoll promotes interaction and collaboration which are increasingly at the core of dynamic organizations, requiring furniture that is both agile and flexible.











## Generation by Knoll is a responsive partner.

**Introducing the Generation by Knoll Flex Back and Flex Top. Elastic design and material innovation that deliver multidimensional support.**

Current ergonomic research challenges the idea of a single, forward-facing posture, recognizing that maintaining one seated position for an extended time is not compatible with the body's natural tendency toward movement. Created from a high performance elastomer, the innovative Generation by Knoll Flex Back facilitates changes in posture and position throughout the workday. The Flex Top extends the range of movement, allowing you to sit comfortably in any position—even sideways.

**Energizing Flex.** The Generation by Knoll Flex Back fuses two innovative elements—a resilient Flex Back Net and a distinctive figure 8 structure—which together support many different postures and allow for multi-dimensional movement. The curvature of the figure 8 structure combined with the specific tension, pattern and unique properties of the Net enables side-to-side flex and ensures optimal localized support for shoulders and lumbar region. Responding to your range of movement, the Flex Top folds over the top edge of the back providing a comfortable armrest for side sitting or other informal postures.

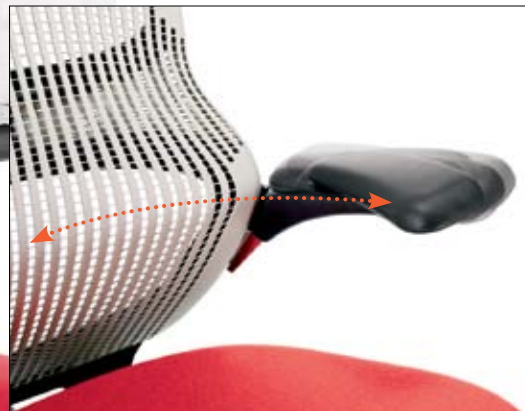




## Freedom for every body.

**Flex Seat, Continuous Lumbar and inventive arms—a fluid combination that supports your every movement, even side sitting.**

Generation by Knoll moves as you move, encouraging free expression, creativity and engagement at work. The Flex Seat offers 270 degrees of seat edge flex without a hard frame or obtrusive levers along the seat perimeter. And for added comfort and support, the Continuous Lumbar carries the lumbar support in the Flex Back through the design of the arms. The result: seamless movement from upright to perched or side sitting positions.



**A New Standard for Support.** The Generation by Knoll arm is an extension of the lumbar support, providing 4.5" of height adjustment. High performance arms incorporate a free-floating arm pad that naturally adjusts as you change from a static task-oriented position to a side seated posture.





## Balance throughout the work day.

**The groundbreaking Generation by Knoll Dynamic Suspension control assures a smooth and effortless ride.**

Generation by Knoll redefines the modern office with innovative features that make work easier. Case in point: the streamlined Dynamic Suspension control. Constructed from the same high performance elastomer as the Flex Back Net, this simple, non-mechanical control provides a weight-compensated, smooth ride—without the complexity of metal links or springs. The inherent properties of this material—flex and durability—enable an enhanced range of energizing, side-to-side movements.

**Sit and Recline.** The synchronized recline of the Dynamic Suspension control counterbalances your body weight, resulting in a smooth and effortless ride. Four independent flexors act as suspension devices that support and respond to your multidirectional movements. Generation by Knoll features intuitive adjustments for seat height, as well as 3" of seat depth adjustment. A tilt preference selector allows for additional resistance in the recline.











## Innovation meets sustainability.

### Generation by Knoll is the first chair to be rated SMaRT® Sustainable Platinum.

Generation by Knoll reflects our commitment to sustainable design. Designed and developed to meet Knoll Design for the Environment Guidelines, the chair's construction optimizes material efficiency, reduces the amount of energy and material used in assembly and minimizes manufacturing waste. We assemble Generation at our LEED® Gold-certified, ISO-14001 East Greenville, PA manufacturing facility, which is also recognized for health and safety standards by the OSHA Voluntary Protection Program's (VPP) Star program. Generation has earned a Sustainable Platinum rating under the SMaRT® Consensus Sustainable Product Standard, which requires a Life Cycle Assessment (LCA), a rigorous, independently audited process that evaluates the environmental attributes of a product throughout its total life. Generation is also GREENGUARD Children & Schools<sup>SM</sup> certified.



**Leading LEED®.** Generation by Knoll can help contribute to achieving the following U.S. Green Building Council LEED® credits: Recycled Content (2 points); Low-Emitting Materials (1 point) with its GREENGUARD Children & Schools<sup>SM</sup> certification; Innovation in Design (1 point) with its SMaRT® certification. An additional point for regional materials is available if the job site is under 500 miles from our manufacturing facility in East Greenville, PA.

**GREENGUARD®**

GREENGUARD Indoor Air Quality Certified® and GREENGUARD Children & Schools™ certified

**Recycled Material**

Constructed with 40% (plastic base) to 46% (aluminum base) recycled materials

**Minimization of Materials**

Constructed using minimal materials, Generation weighs 37 lbs (plastic base) or 39 lbs (aluminum base) with arms

**Structural Components**

Integrally colored plastic and cast, burnished aluminum require no coating, minimizing materials and virtually eliminating VOCs



**SMaRT®**

SMaRT® Sustainable Platinum certified and PVC-free

**Environmental Fabrics**

Available with 30+ environmental fabrics from KnollTextiles, which contain recycled or natural fiber and are GREENGUARD Indoor Air Quality Certified®

**Recyclable Content**

39% recyclable material (aluminum and steel) with plastic base chair; 54% with aluminum base chair

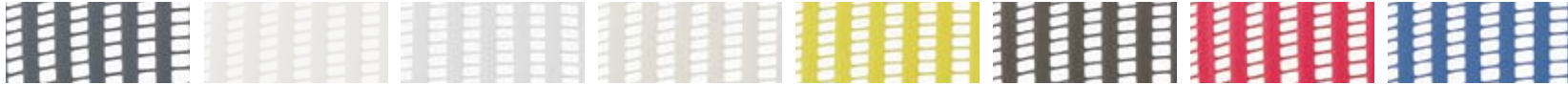
## Expressive materials and finishes.

### Generation by Knoll energizes space.

The fluid, progressive form of Generation by Knoll represents a contemporary expression of how people sit, aspiring to be the user's shadow, and almost, but not quite, as elastic as the human body. Like the sculptural designs of Knoll masters Eero Saarinen and Harry Bertola, Generation by Knoll complements architecturally-inspired interiors. With its many color and finish choices, Generation by Knoll can energize space much in the same way that it energizes users.



## Flex Back Net



01 Storm    02 Meteor    03 Pebble    04 Desert    05 Lemongrass    06 Espresso    07 Firecracker    08 Bluemarine

## Generation fabric options



01 Storm    03 Pebble    04 Desert    05 Lemongrass    06 Espresso    07 Firecracker    08 Bluemarine    09 Onyx

We also offer 130+ KnollTextiles fabrics or Spinneybeck® leathers. Call 133 approved with select textiles (Dark finish, aluminum base only). The chairs in this brochure feature Knoll Hopsack and Knoll Felt upholstery by KnollTextiles.



Finish options



DK Dark

LT Light

Base options



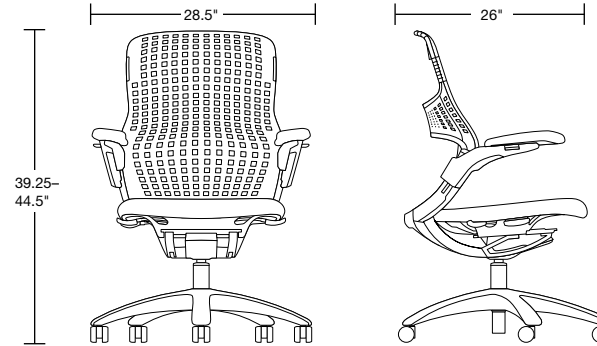
Dark plastic



Light plastic



Polished aluminum



**Refuse to sit still.<sup>SM</sup>**

available at:



800.531.3746

[info@thehumansolution.com](mailto:info@thehumansolution.com)

[thehumansolution.com](http://thehumansolution.com)

**Knoll<sup>®</sup>**

Printed in Canada. B-GEN09  
©2009 Knoll, Inc. All rights reserved.