



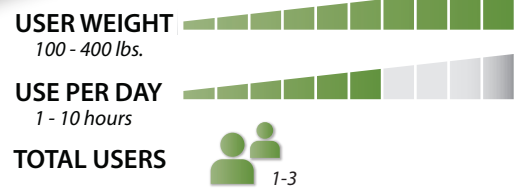
C3-DT3 Bike Desk



* Desk not included

DISPLAY READOUTS	Pedaling time, level, calories, distance, and speed
RESISTANCE LEVELS	16
SEAT ADJUSTMENT	19 levels
WARRANTY	Six hours maximum daily usage
FRAME	Lifetime
PARTS	2 Years
LABOR	1 Year

Best Fit



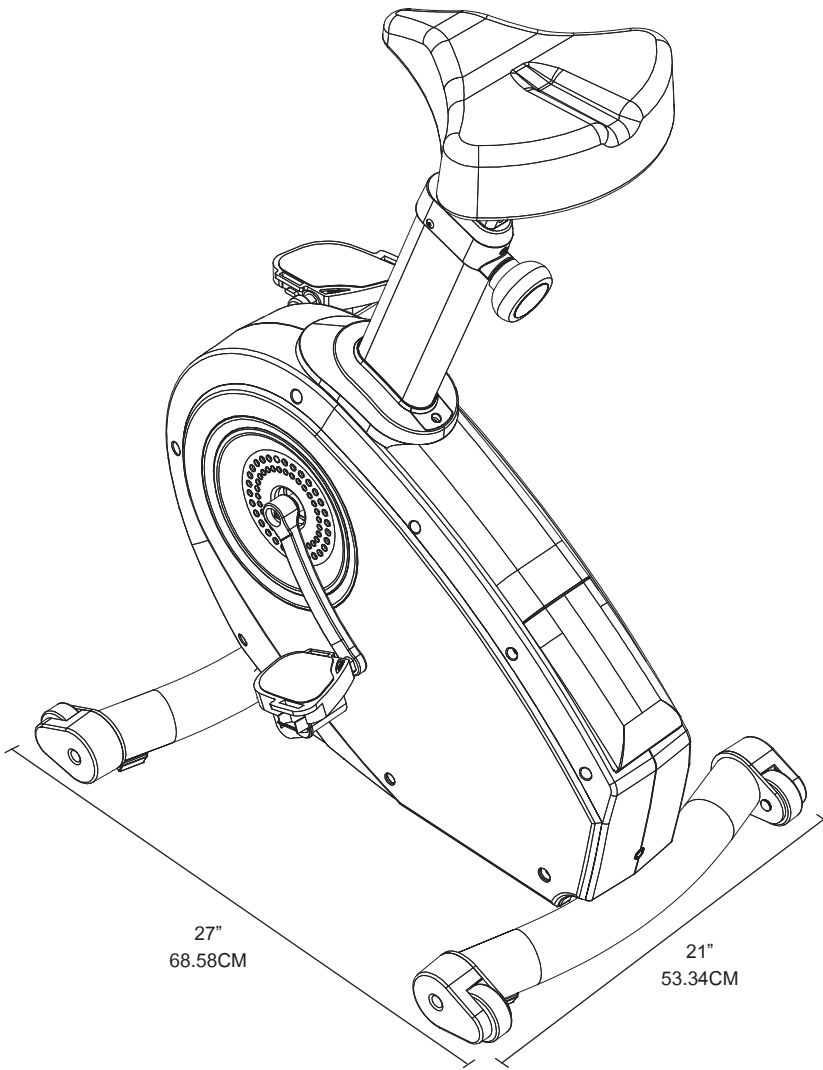
available at:



800.531.3746
info@thehumansolution.com
thehumansolution.com

LifeSpan
workplace
solutions

PRODUCT **C3-DT3**



COLORS

COVERS



PANTONE®
431 C

FRAME



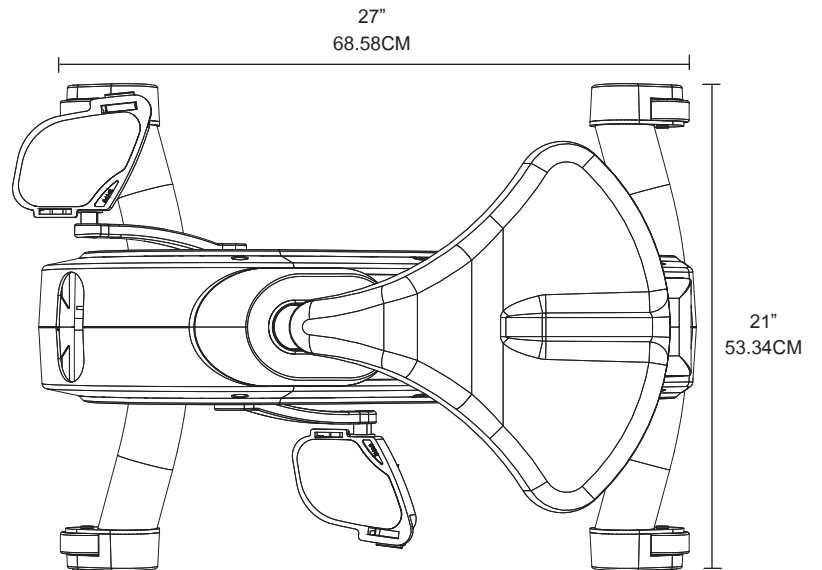
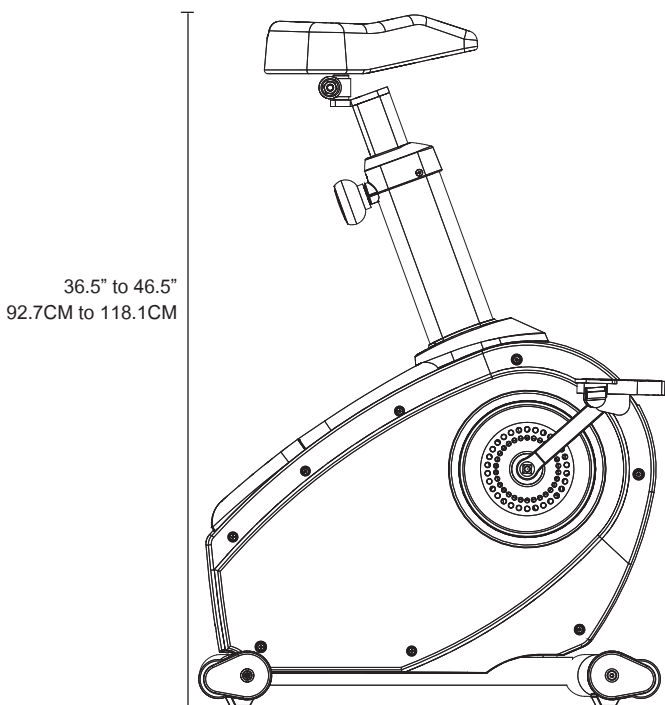
PANTONE®
877 C

DIMENSIONS

CYCLE 27" L x 21" W x 36.5" to 46.5" H
68.58CM x 53.34CM x 92.7CM to 118.1CM

WEIGHT

CYCLE 94 LBS/42.64 KG
CONSOLE 3 LBS/1.36 KG



*DESK NOT INCLUDED WITH THIS MODEL