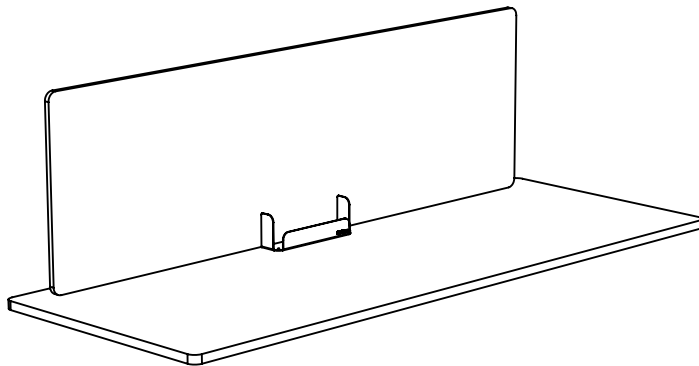
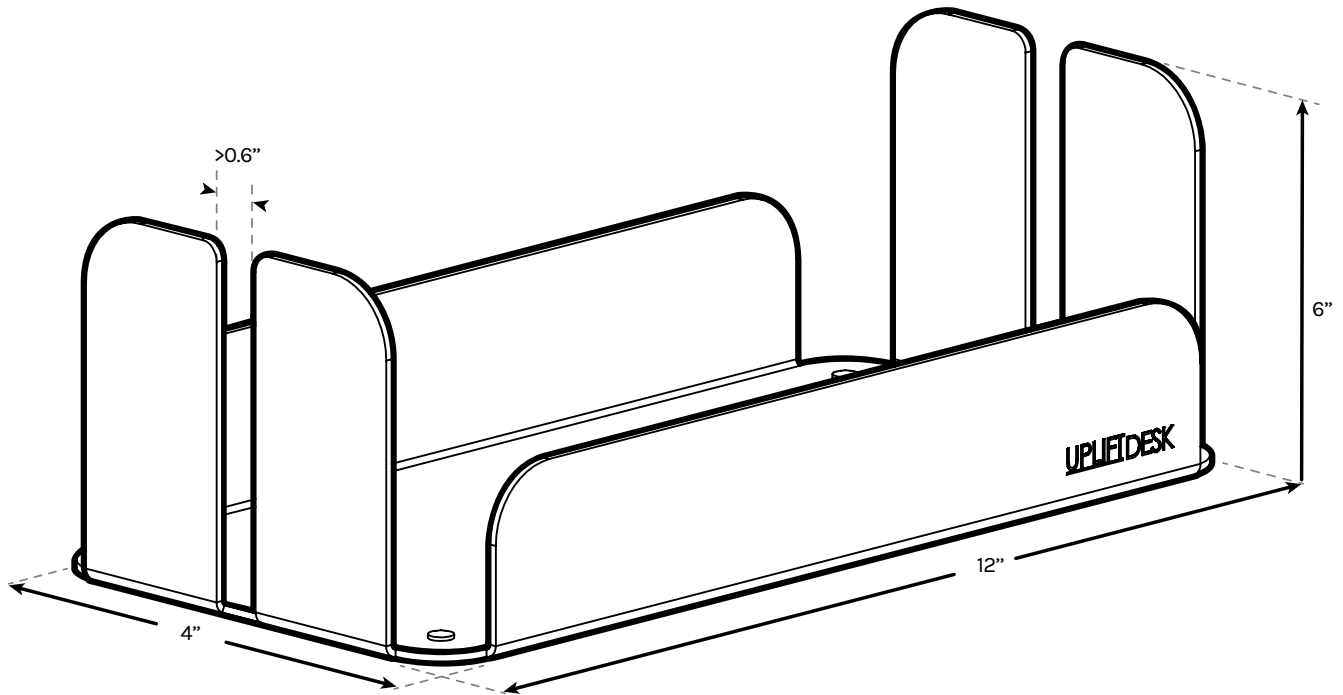


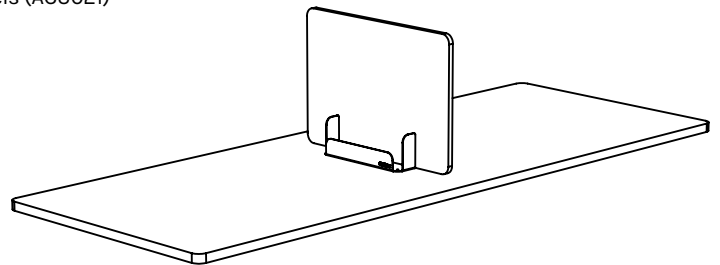
Desktop Acoustic Privacy Panel Holder

SKU: ACC026/ACU026

Specifications




Designed for use
with Acoustic
Panels (ACU021)



Bracket Material	Steel
Bracket Finish Colors	Black, Gray, Industrial Style, White
Warranty	5 years



For help with assembly, find our assembly instructions at <https://bit.ly/2D1iLR1>

 For technical questions and support call **800-349-3839**, email info@upliftdesk.com, or visit our chat service at upliftdesk.com