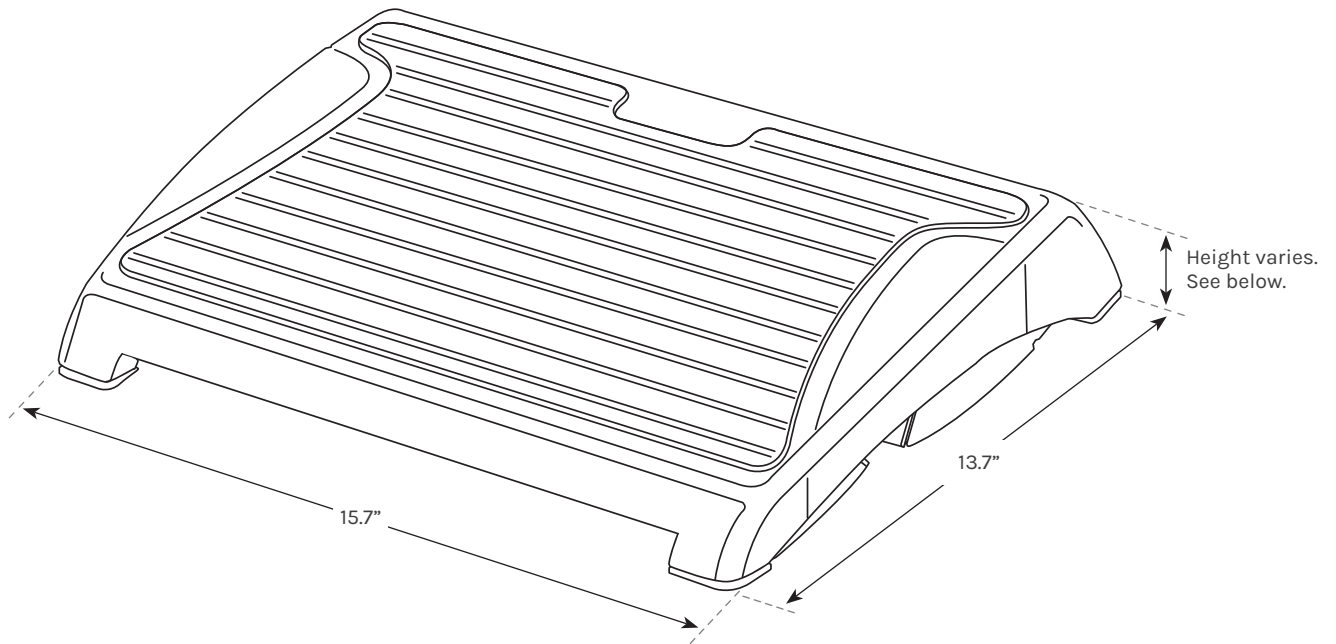


Adjustable Footrest E3

ACC019

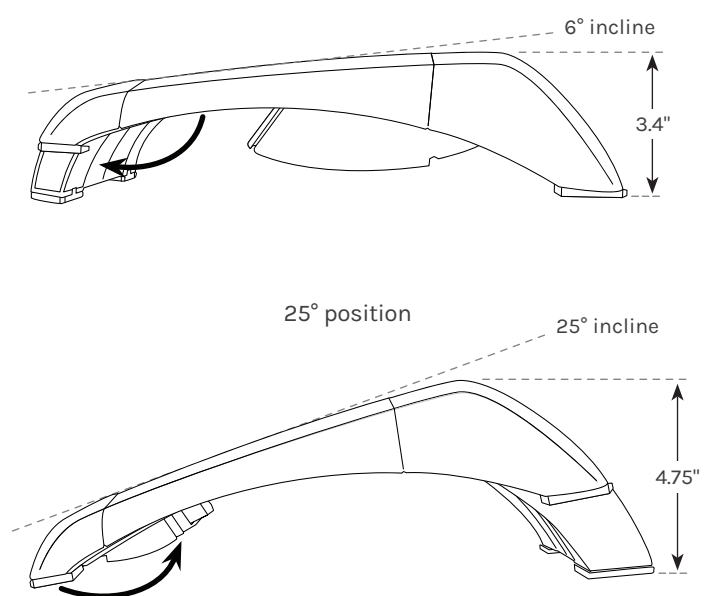
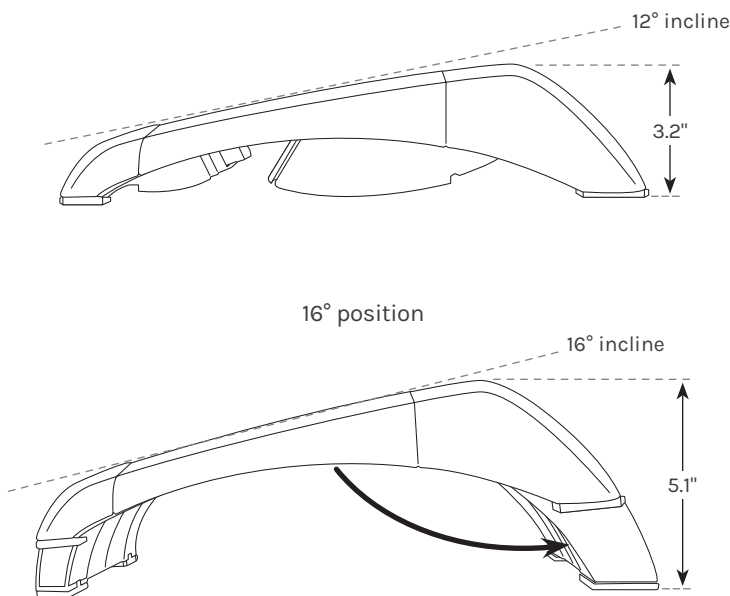
Specifications



SIDE VIEWS

12° position

6° position



Warranty	15 year warranty on all UPLIFT Desk products. upliftdesk.com/warranty/
Color	Black with gray details

Copyright Notice: This guide is a component of this UPLIFT Desk product. This guide is a part of the scope of delivery, even if the item is resold. This guide is also available on the UPLIFT Desk website: upliftdesk.com. These specifications are subject to United States copyright law.