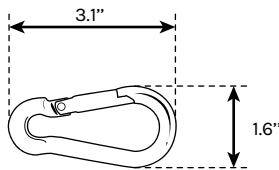
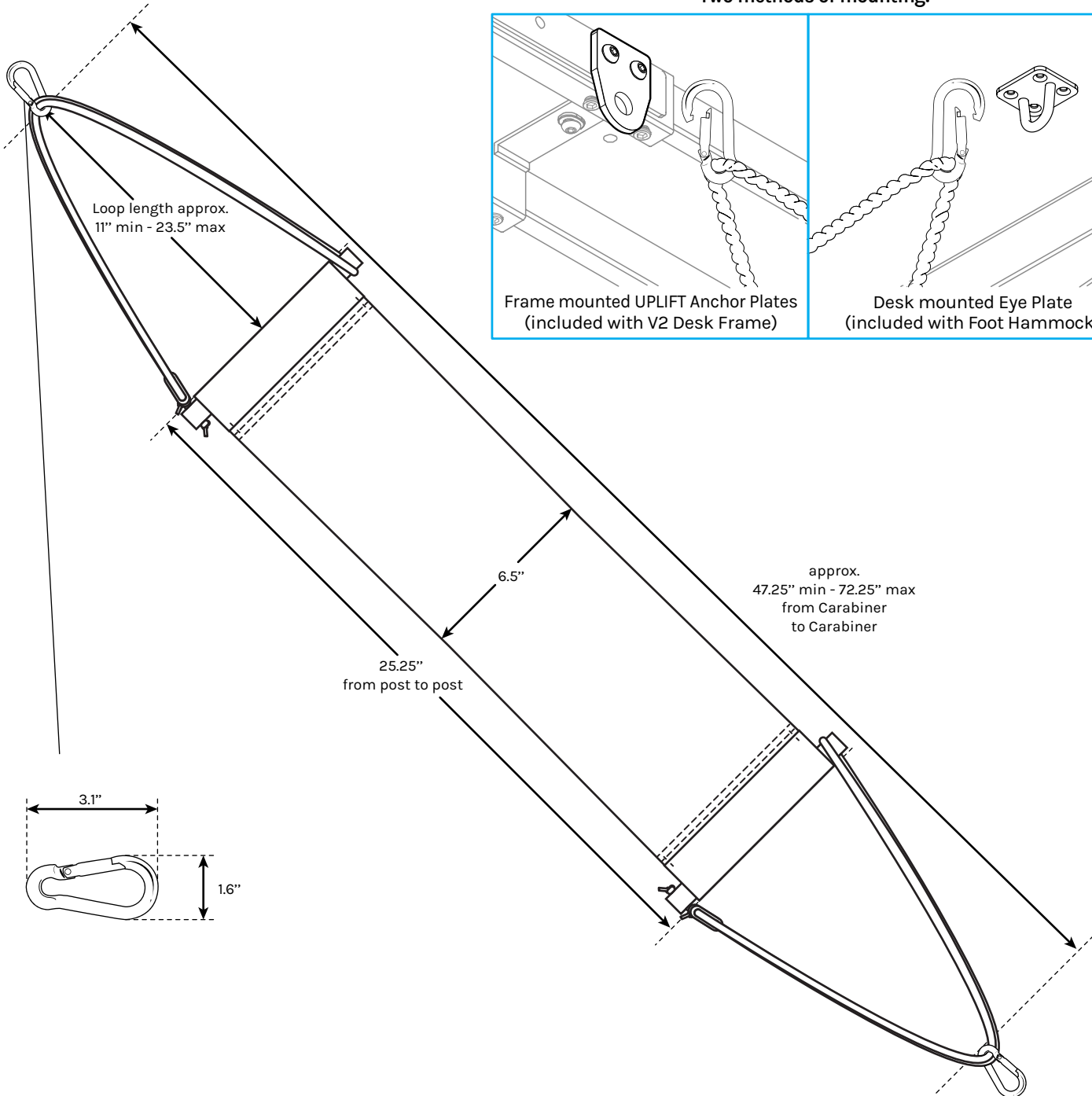
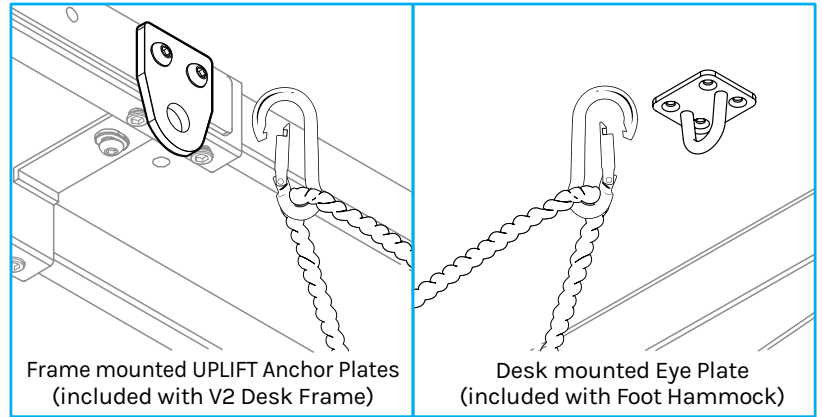


# Foot Hammock

SKU: ACC047

## Specifications

Two methods of mounting:



<b>Weight Capacity</b>	100 lb if Frame mounted 50 lb if Desk mounted
<b>Color</b>	Gray
<b>Warranty</b>	15 year



For help with assembly, find our assembly instructions at <http://bit.ly/2Y6APTx>

**i** For technical questions and support call 800-349-3839, email [info@upliftdesk.com](mailto:info@upliftdesk.com), or visit our chat service at [upliftdesk.com](http://upliftdesk.com)