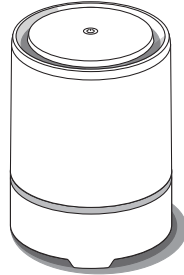


Desktop Air Purifier

SKU: ACC061

UPLIFT DESK®

Package Contents



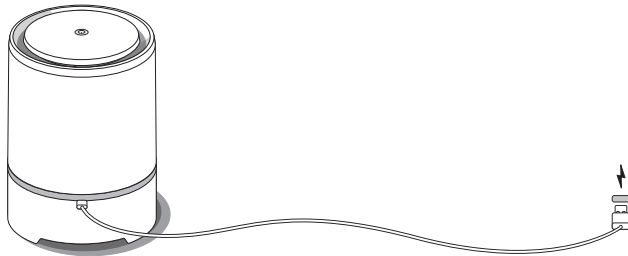
Main Unit



USB Cable



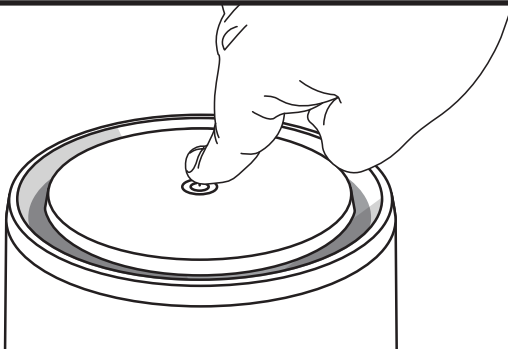
Negative Ion Cleaning Brush



Step 1

Plug the small end of the USB Cable into the port on the back side of the Main Unit.

Plug the other end of the USB Cable into a 5V, Type A USB port.

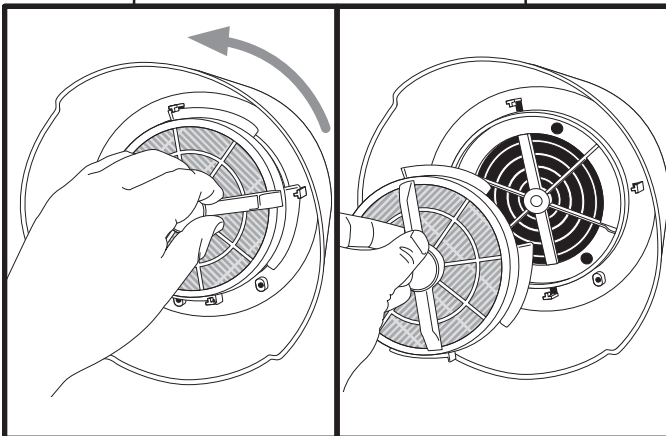


Step 2

Press the Power button (located on the top of the Unit) once to turn on the Unit and the light.

Press the Power button a second time, and the light will dim slightly as it enters power save mode. After eight hours of use, the Unit will shut off automatically.

Press the button a third time to shut off the Unit and the light.



Step 3

The HEPA filter is located in the bottom of the Unit and should be replaced every 2 to 6 months for best results.

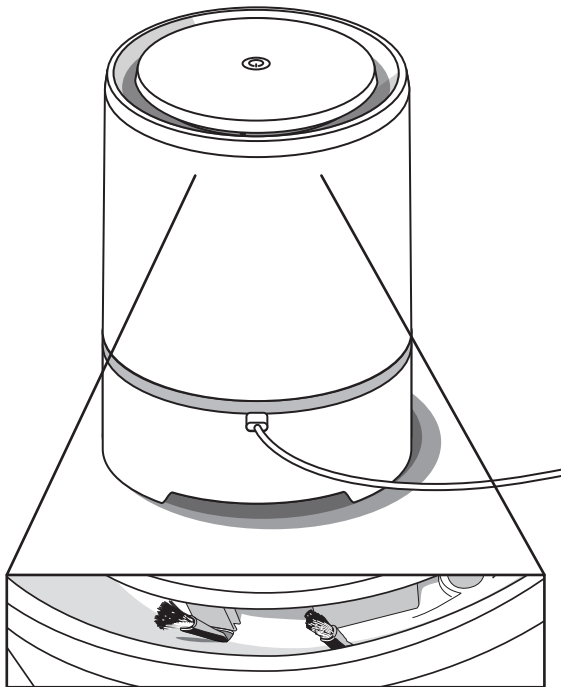
To replace the HEPA filter, first turn the Unit off and disconnect the USB Cable.

Flip the unit upside down and turn the filter counter-clockwise and pull out to remove it.

Insert the new HEPA filter and lock it into place by turning it clockwise.

The part number for replacement HEPA filters is ACC064 and can be purchased in packs of 3 at upliftdesk.com.

TROUBLESHOOTING



Negative Ion heads



Unit not functioning

Check that power is turned ON.

Check that both ends of the USB Cable are firmly plugged in.



Odor comes from the air output

The filter may be dirty. Change the filter.



Poor purifying efficiency

Unit may be located far away, in an unventilated place, or blocked by a barrier. Remove these obstacles to ensure better efficiency.



No air is coming out at all

This issue likely indicates a blockage at the Unit's inlet (bottom) or outlet (top). Clean out anything blocking these areas.



Low Negative Ion count or Abnormal noise

If too much dust or other particles gather on the Negative Ion heads, the airflow can be hindered, causing a whistling sound to emit from the device. To remedy, turn the power OFF and use the Negative Ion cleaning brush to gently dust off the Negative Ion heads inside the top of the unit.

⚠ CAUTIONS & WARNINGS

- ⚠ **CAUTION:** Read all instructions before assembly. Failure to follow all instructions may result in damage.
- ⚠ **CAUTION:** Unplug and remove USB Cable before maintaining or moving the unit to avoid electric shocks.
- ⚠ **CAUTION:** Keep the Unit away from water. Do not use near water sources and do not rinse the unit with water to avoid electric shocks and damage to Unit.
- ⚠ **CAUTION:** Do not use a wet hand to insert or remove the power plug to prevent electric shocks.
- ⚠ **CAUTION:** Do not clean the unit with any type of acid-base solutions to prevent damage and electric shocks.
- ⚠ **CAUTION:** Keep away from volatile or flammable items.
- ⚠ **CAUTION:** Keep objects out of the power input port, otherwise the Unit cannot operate.
- ⚠ **CAUTION:** Do not place any objects in the air-outlet area, to prevent malfunction.
- ⚠ **CAUTION:** Keep out of the reach of small children.

© **Copyright Notice:** These instructions are a component of this accessory. These instructions are part of the scope of delivery, even if the item is resold. These instructions are also available on the UPLIFT Desk website: uplift-desk.com. Excerpts or copies may not be forwarded to third parties or used in any other published form without the prior written consent of UPLIFT Desk. These instructions are subject to United States copyright law.