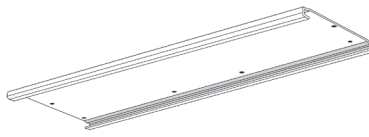


# CPU Holder

SKU: CPU128-NTS

UPLIFT DESK

## Package Contents



16" Track



5/8" Wood screws  
(qty 12)

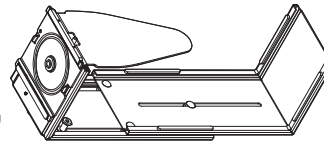


Back bumper



Allen wrench

Track guard



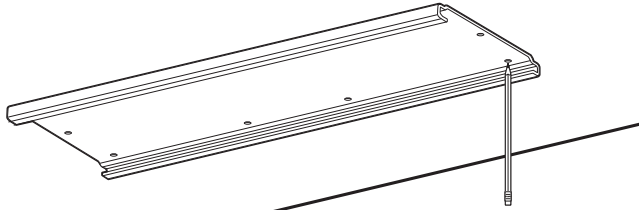
UPLIFT CPU Holder



Track Spacer Kit  
(optional)

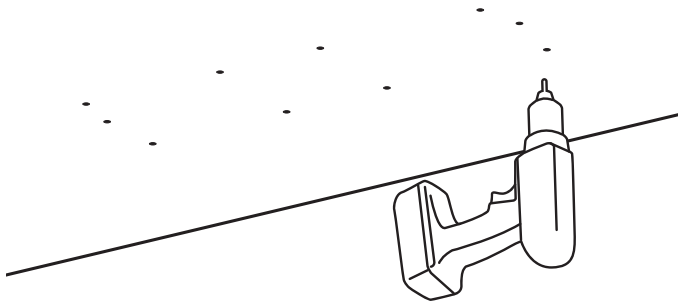
### \*A note before you begin:

If you purchased the optional Track Spacer, please follow those instructions.



### Step 1

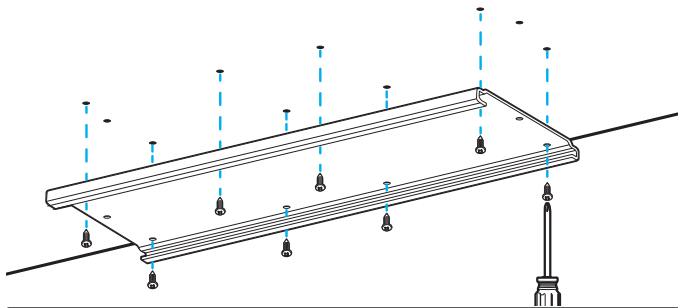
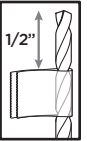
Hold the Track under your desk to see where it will fit. Mark the location of the ten screw holes in the track with a pencil.



### Step 2

If you own a drill, you can make this a little easier by drilling pilot holes where you've made your pencil marks using a 1/8" diameter bit.

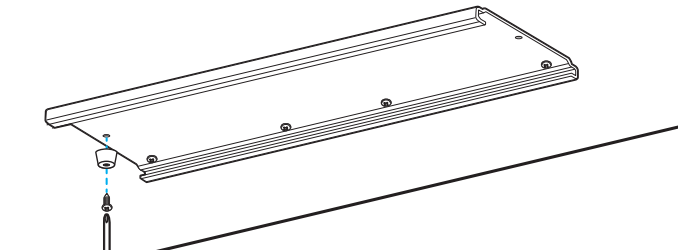
**Note:** DRILL NO DEEPER THAN 1/2" because that will increase the risk of drilling through your desktop. We recommend wrapping a piece of tape around your drill bit 1/2" from the tip. Stop drilling just before the tape touches the desktop.



### Step 3

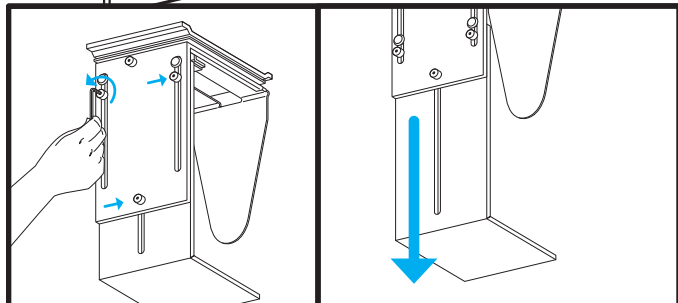
Attach the track to the underside of the desk by using eight Wood screws and a Phillips head screwdriver.

**Note:** Your desktop **must** be at least 3/4" thick for the provided Wood screws.



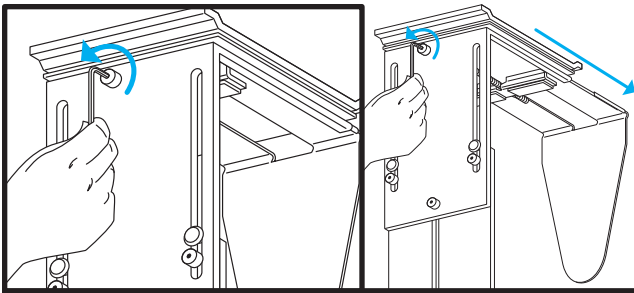
### Step 4

Using one Wood screw, attach the rubber Back bumper to the rear side of the track.



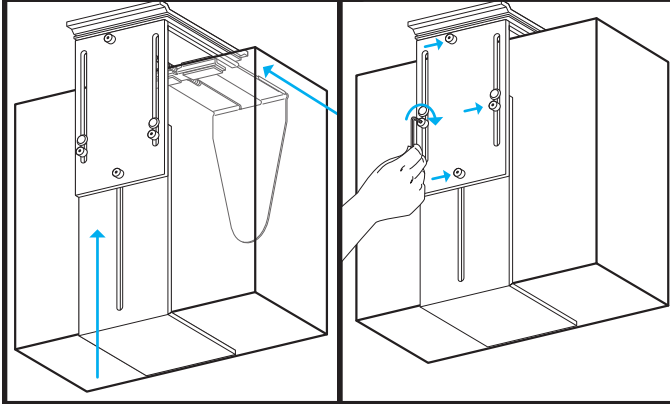
### Step 5

Use the Allen wrench to loosen the three bolts on the side of the CPU holder. This will loosen the lower half of the vertical clamp, and allow you to slide it to its full height.



### Step 6

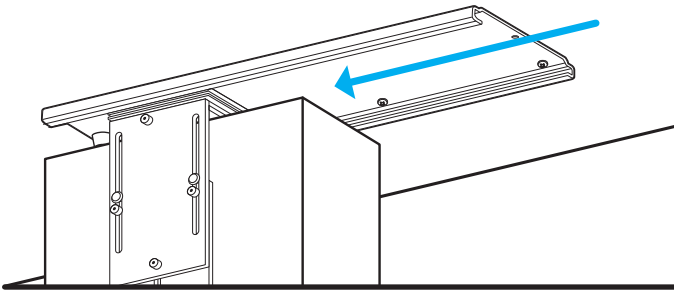
Use the Allen wrench to loosen the upper bolt, shown here, on the CPU holder. Loosen the bolt until the horizontal clamp is wide enough for your CPU to fit inside.



### Step 7

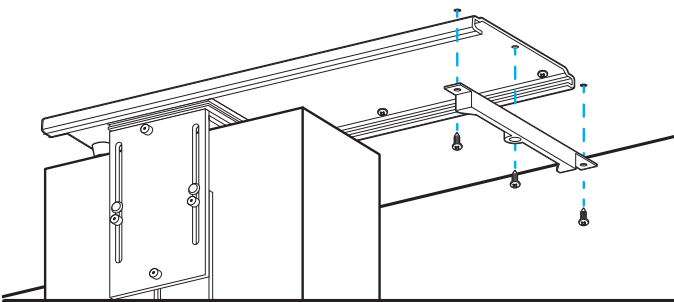
Place your CPU into the holder, and reverse what you did in Steps 5 and 6. Slide the lower half of the vertical clamp up to hold the CPU, and tighten the bolts.

Tighten the top center bolt to bring the horizontal clamp inward and hold the CPU securely.



### Step 8

Slide the CPU and CPU Holder onto the track.



### Step 9

Use the three remaining Wood screws to attach the Track guard to prevent the CPU Holder from sliding off.

Refer to the “mark-up” and “pre-drill” instructions from Steps 1 and 2 for the outer holes on the Track guard.

## CAUTIONS & WARNINGS

**▲ CAUTION:** Read all instructions before assembly and use. Failure to assemble and operate properly may result in damage or personal injury. Retain manual for future reference.

© Copyright Notice: This guide is a component of this product. This guide is a part of the scope of delivery, even if the item is resold. This guide is also available on the UPLIFT Desk website: [upliftdesk.com](http://upliftdesk.com). Excerpts or copies may not be forwarded to third parties or used in any other published form without the prior written consent of UPLIFT Desk. These instructions are subject to United States copyright law.