

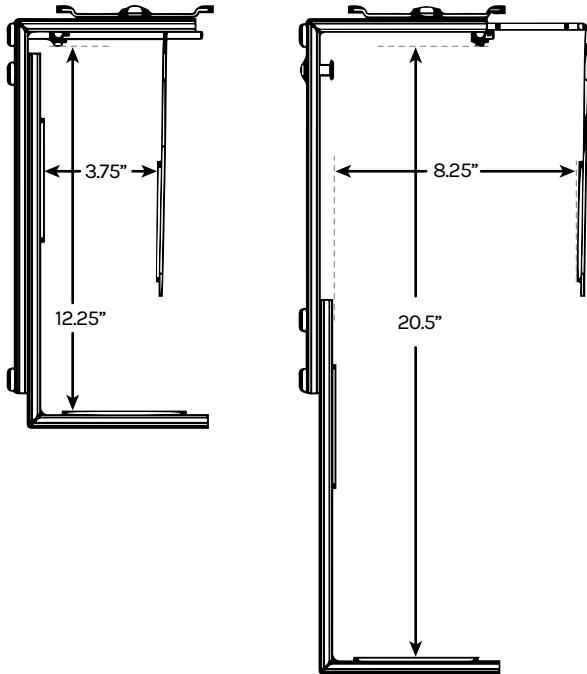
CPU Holder

SKU: CPU128-NTS

Specifications

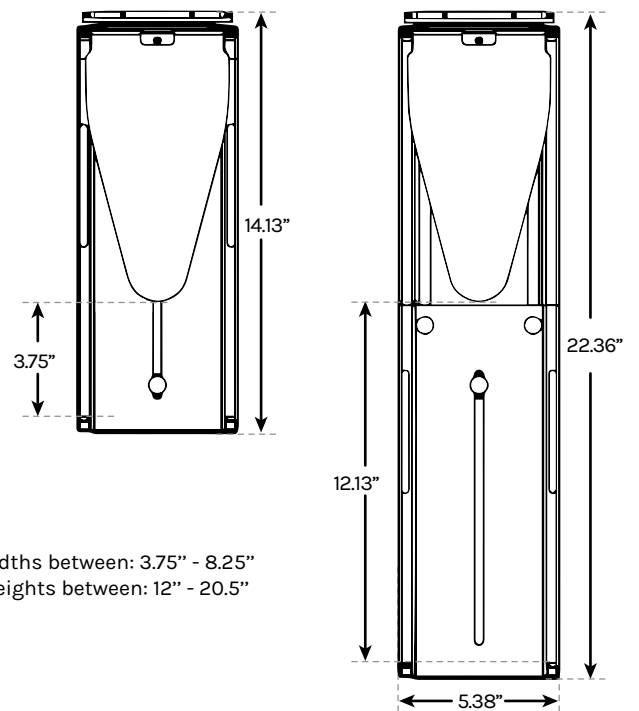
FRONT VIEW

fully extended



SIDE VIEW

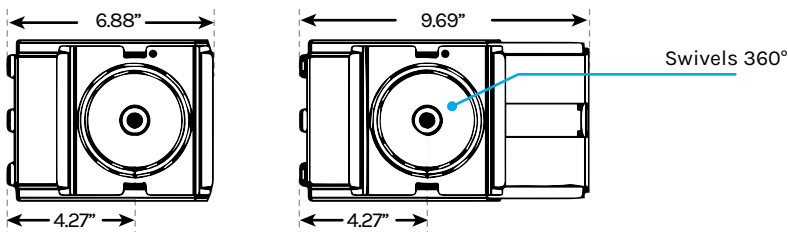
fully extended



Fits CPUs of widths between: 3.75" - 8.25"
Fits CPUs of heights between: 12" - 20.5"

TOP VIEW


fully extended



Track Length	16"
Color	Black
Finish	Powder-coat paint
Weight Capacity	50 lb
Construction	Steel
Warranty	15 year



For help with assembly, find our assembly instructions at <https://bit.ly/359qN5m>

 For technical questions and support call 800-349-3839, email info@upliftdesk.com, or visit our chat service at upliftdesk.com