

FGS-250W Manual Hand Wheel Test Stand

The Series FGS-250W Manual Hand Wheel Operated Test Stand. The FGS-250W is specifically designed for tensile and compressive force testing and destructive or failure testing for research applications in a multitude of industries. The FGS-250W movement is created from a trapezoidal screw drive with integral nut. Combined with its top-mounted wheel that smoothly turns with minimal effort, fine, stable resolution is achieved during operation.

The FGS-250W offers dual functionality by being able to be used in either the vertical or horizontal positions with no added equipment required. Simply lay unit on its back and level with the adjustment screw and you now can run horizontal tests. The FGS-250W's compact footprint and lightweight frame enables ease of movement and usage in a myriad of locations.

Optional accessories include a Digital Scale which accurately tracks distance movement and a Tensile Frame adapter kit which enables extended clearance for tensile tests. Shimpo offers a variety of grips and fixtures to create the required set-up for your test parameters. The FGS-250W's maximum 250 lbf (125 kgf) capacity combined with the precision wheel movement operation yields an ideal manual test stand for a full range of lab or production line testing applications.



FGS-250W Manual Hand
Wheel Operated Test Stand

Features

- Flexible Vertical or Horizontal operation
- Compact footprint & lightweight enables usage in most locations
- Fine movement from the top-mounted wheel aids in precision testing
- 250 lbf (125 kg) maximum testing capacity
- Digital Scale kit available for high resolution movement recording
- Optional Tensile Frame Kit extends movement stroke to over 10 inches

available at:



800.531.3746

info@thehumansolution.com
thehumansolution.com



Stand with Optional
Tensile Frame and Digital Scale

FGS-250W Specifications

Capacity	Up to 250 lbf (125 kg); 143 lbf (65 kg) with optional Tensile frame.
Travel	0.12" (3 mm)/turn
Stroke	9" (230 mm) max.; 10.24" (260 mm) max. with Tensile Frame kit.
Dimensions	9.8 x 7.7 x 17.5" (250 x 196 x 445 mm)
Weight	15.4 lb (7 kg)
Warranty	1 year
Packing List	Test Stand (1), Handle of Hand Wheel (1), Adapter Screw (M6) (1), Screw M4 x 16 (for force gauge) (6)

FGS-250W-TFK Specifications

Capacity	143 lbf (65 kg)
Dimensions	4.4 x 0.55 x 17" (112 x 14 x 433 mm)
Packing List	Tensile Frame (1), Screw M6 x 25 (3), Hook (1)

FGS-250W-DSK Specifications

Measure Range	7.87" (200 mm)
Resolution	0.0005" (0.01 mm)
Repeatability	0.0004" (0.01 mm)
Power Supply	Button cell SR44 1.55 V
Work Conditions	32 to 104°F (0-40°C), <80% RH
Packing List	Digital Scale (1), Joint Plate (1), Mounts (1), Screw M3 x 5 (3), Screw M4 x 16 (2)

Ordering Details

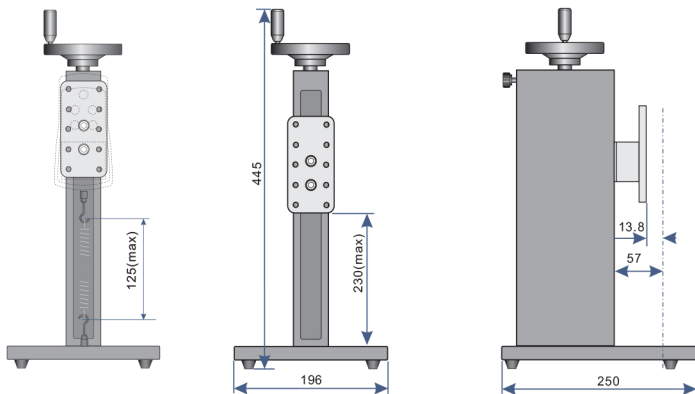
FGS-250W	Hand Wheel Operated Test Stand, Vertical or Horizontal Operation
-----------------	--

Accessories

FGS-250W-TFK	Tensile Frame Adapter Kit for FGS-250W Test Stand
FGS-250W-DSK	Digital Scale for FGS-250W Test Stand

*For available force grips and adapters visit our website at www.shimpoinst.com

FGS-250W Dimensions



available at:



800.531.3746

info@thehumansolution.com

thehumansolution.com



FGS-250W with FG-7000 Force Gauge
Shown Performing Tensile Test