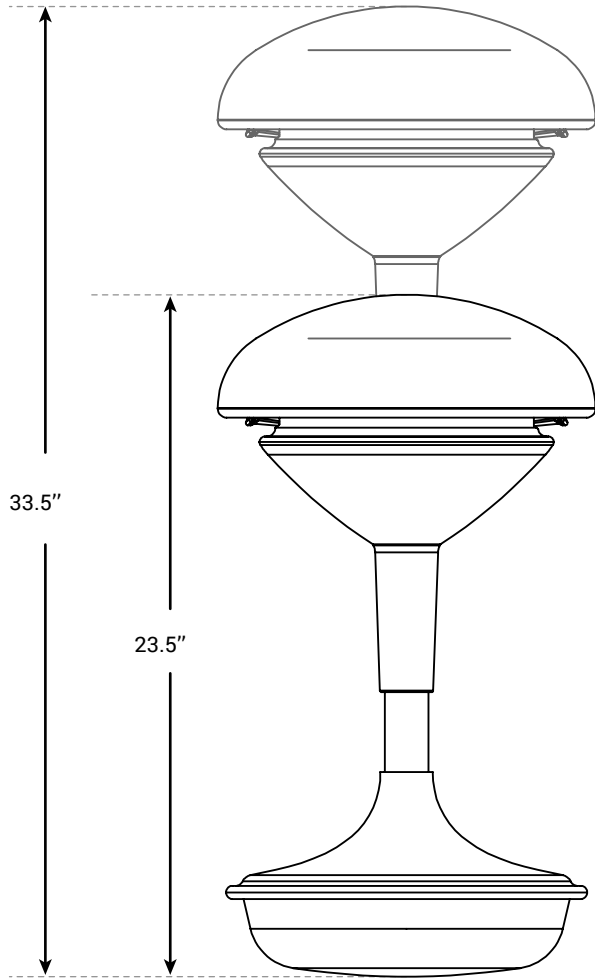
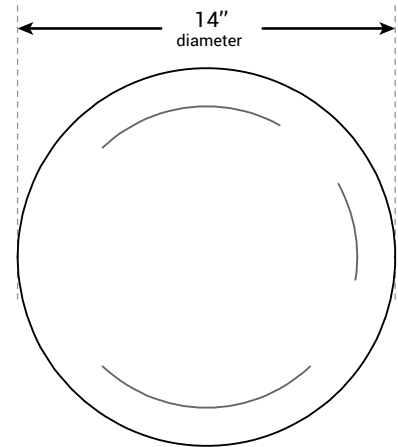


**SIDE VIEW**



**TOP VIEW**



## CAPABILITIES

- Weight Capacity** ..... 300 lbs.
- Seat Color** ..... Black, Blue
- Warranty** ..... 7 years

## FEATURES

- Weighted base with center of gravity stability encourages a full range of motion, from active sitting to perching
- Self-balancing stool returns to upright position after use
- Waterfall seat cushion alleviates pressure, allows maximum flexibility, and promotes circulation