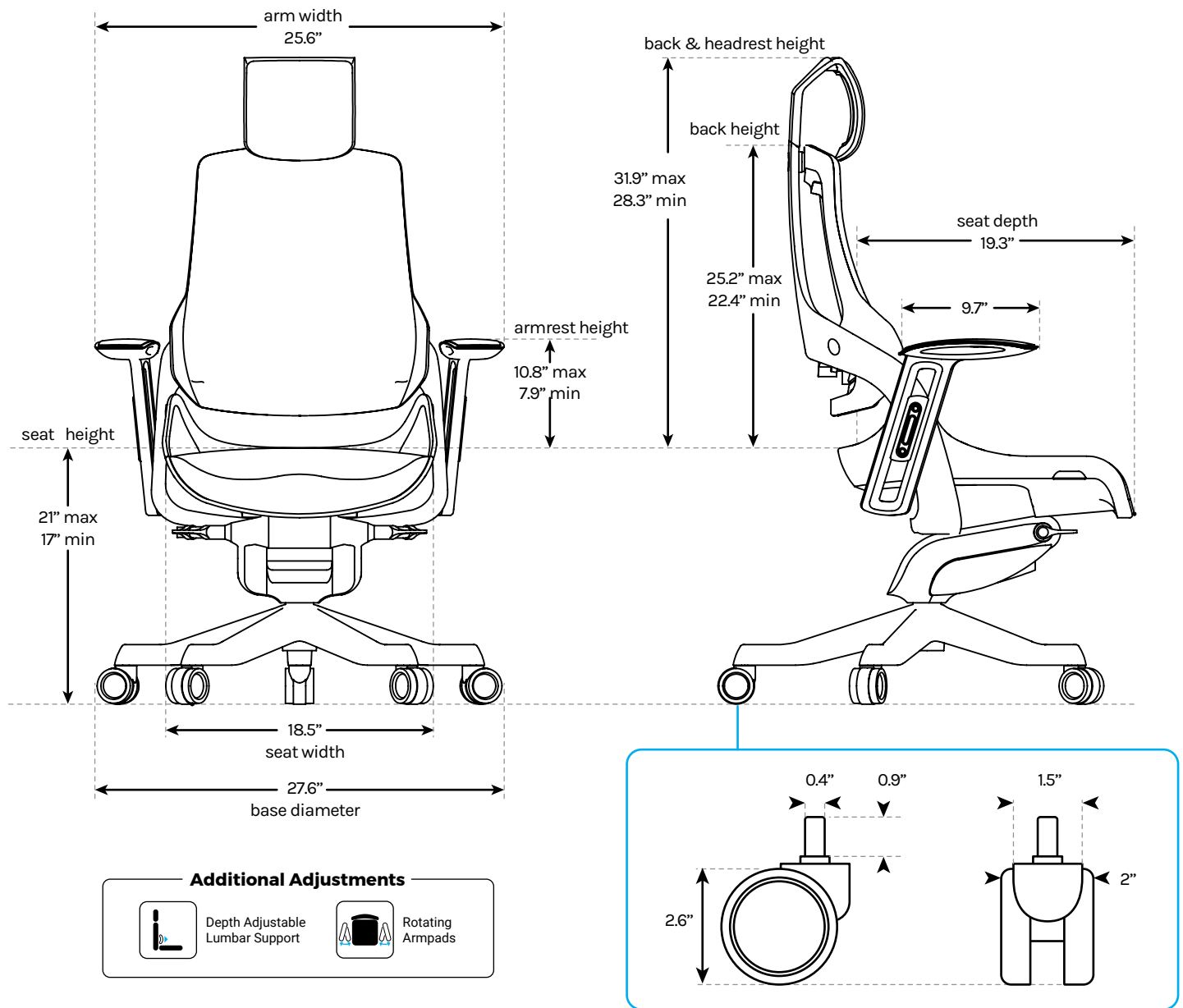


# Pursuit Ergonomic Office Chair

SKU: CHR455

## Specifications



- Meets ANSI/BIFMA X5.1-2017 Standards -

<b>Recline Positions</b>	3, from 0° to 20° positive
<b>Material</b>	Fabric Seat, Mesh Back
<b>Back Tilt Tension Adjust</b>	Manual
<b>Weight Capacity</b>	250 lb (113.4 kg)
<b>Colors</b>	Black, White
<b>Warranty</b>	15 year



For help with assembly, find our assembly instructions at <https://bit.ly/3ecnQ6X>

For technical questions and support call 800-349-3839, email [info@upliftdesk.com](mailto:info@upliftdesk.com), or visit our chat service at [upliftdesk.com](https://upliftdesk.com)