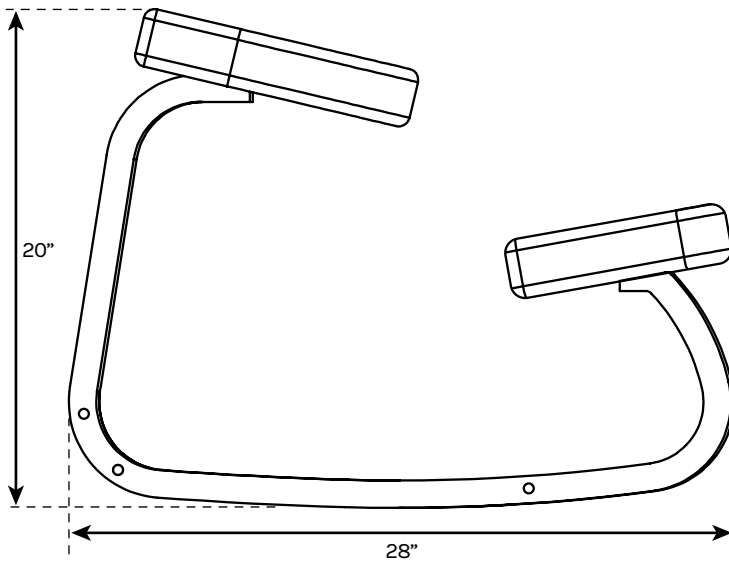


Ergonomic Kneeling Chair

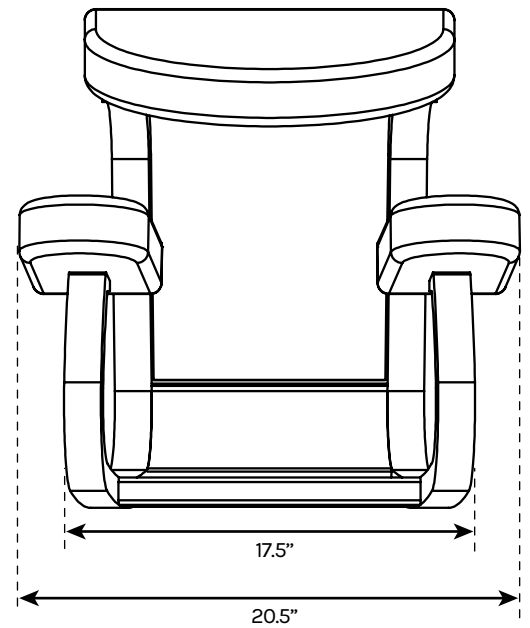
SKU: CHR463

Specifications

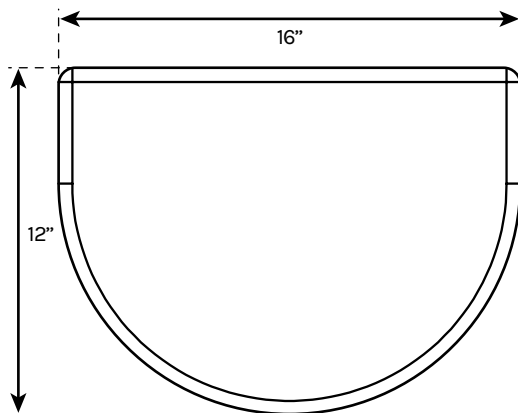
SIDE VIEW



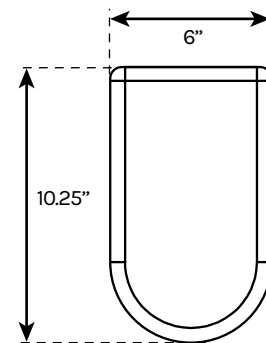
FRONT VIEW



SEAT CUSHION



KNEE CUSHION



Weight Capacity 200 lb (90.7 kg)

Fabric Colors Blue, Gray

Warranty 15 year



For help with assembly, find our assembly instructions at <https://bit.ly/2N4WHpS>

i For technical questions and support call 800-349-3839, email info@upliftdesk.com, or visit our chat service at upliftdesk.com