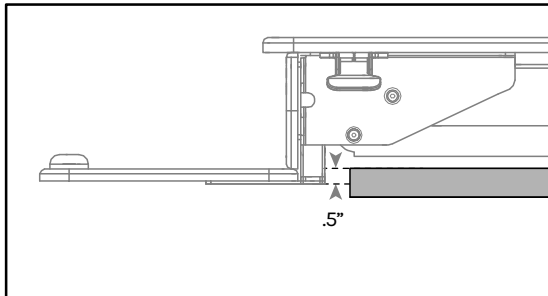
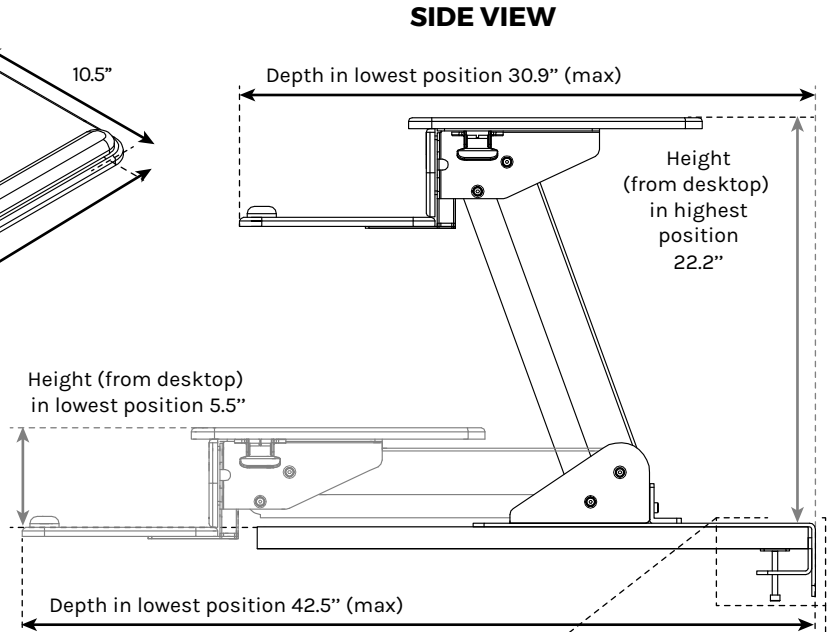
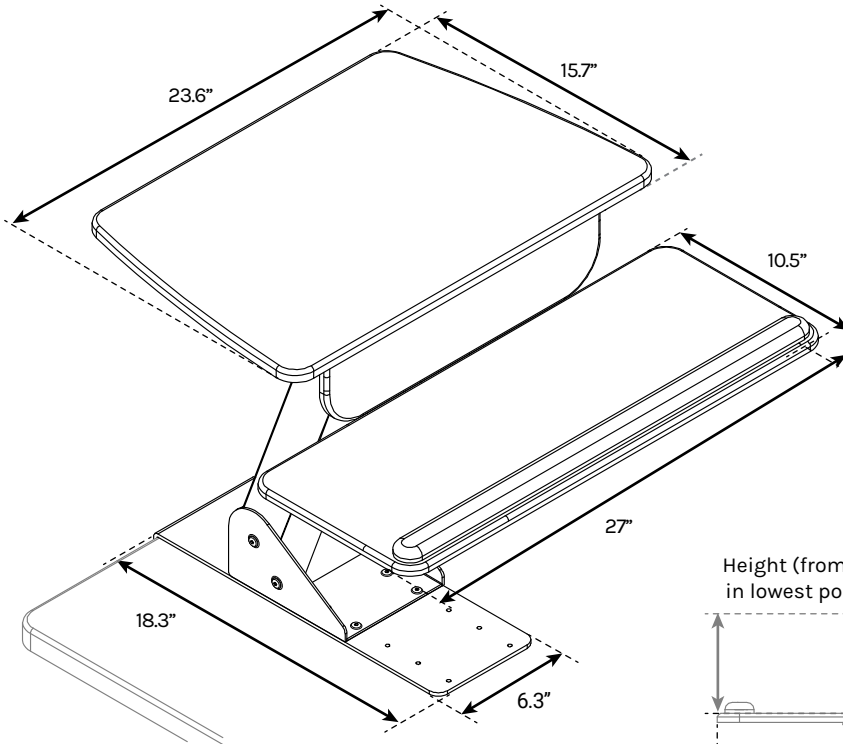


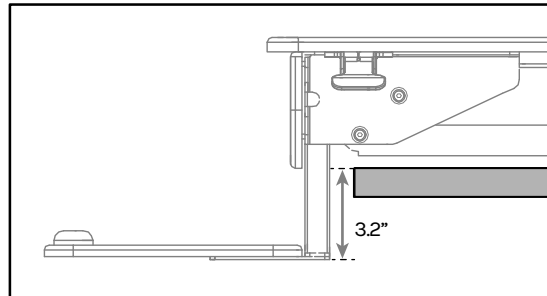
# Clamp Standing Desk Converter

SKU: UDA100-CLAMP

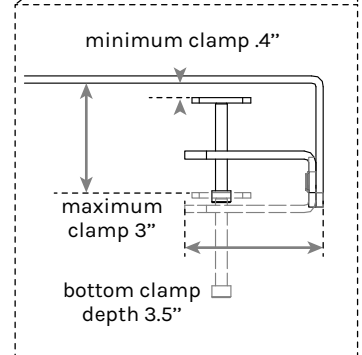
## Specifications



The short connector has the keyboard tray 0.5" below desktop surface at the lowest position.



the long connector has the keyboard tray 3.2" below desktop surface at the lowest position,



<b>Weight Capacity</b>	28.6 lb
<b>Unit Weight</b>	60 lb
<b>Height Range</b>	16.7"
<b>Lifting Type</b>	Pneumatic
<b>Color</b>	Black, White
<b>Warranty</b>	15 year

**BIFMA** Meets BIFMA X5.5-2014 Durability Standard



For help with assembly, find our assembly instructions at <https://bit.ly/2QLDcoE>

For technical questions and support call 800-349-3839, email [info@upliftdesk.com](mailto:info@upliftdesk.com), or visit our chat service at [upliftdesk.com](https://upliftdesk.com)