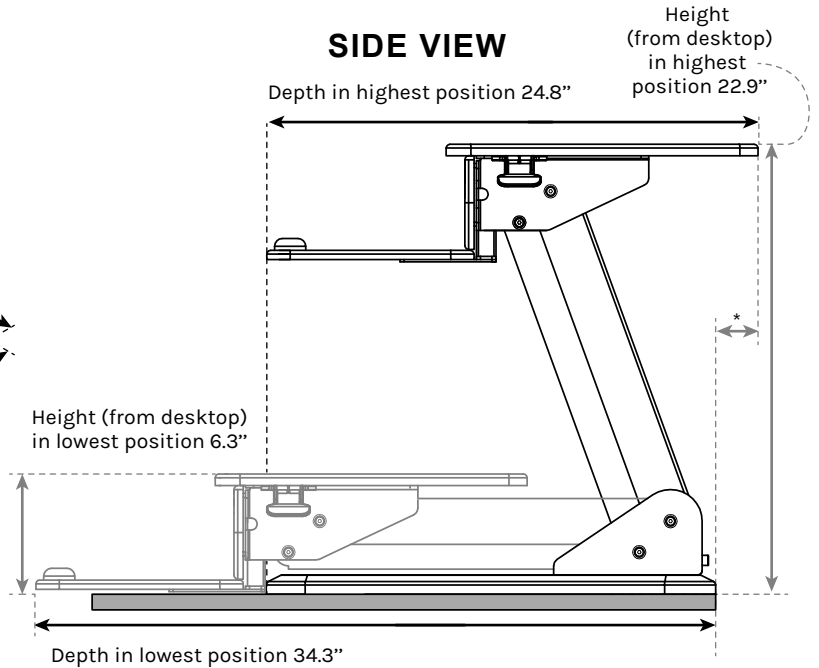
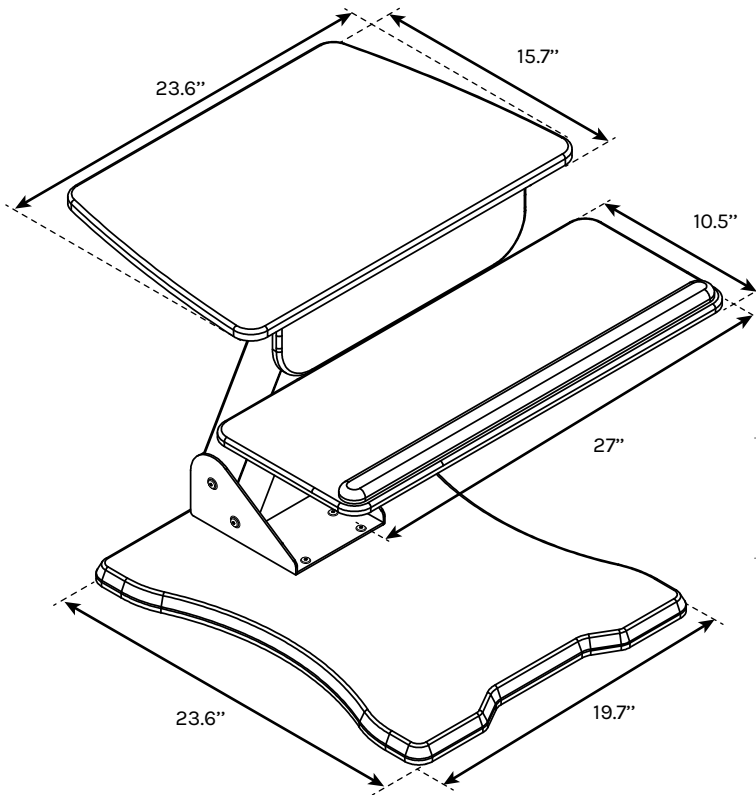


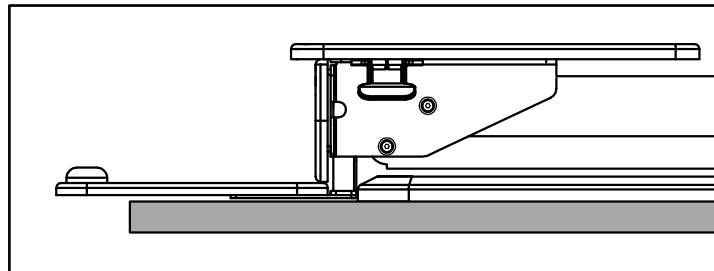
# Riser Standing Desk Converter

SKU: UDA100-RISER

## Specifications



\*Note: Because the upper worksurface moves backwards as it rises, place the unit at least 2.5" from the wall.



Keep the unit in a position so that the Keyboard Tray rests ON the desktop when in the lowest position, to prevent any risk of the unit tipping forward

<b>Weight Capacity</b>	28.6 lb
<b>Unit Weight</b>	55 lb
<b>Height Range</b>	16.7"
<b>Lifting Type</b>	Pneumatic
<b>Color</b>	Black, White
<b>Warranty</b>	15 year

**BIFMA** Meets BIFMA X5.5-2014 Durability Standard



For help with assembly, find our assembly instructions at <https://bit.ly/2ELeZwe>

For technical questions and support call 800-349-3839, email [info@upliftdesk.com](mailto:info@upliftdesk.com), or visit our chat service at [upliftdesk.com](https://upliftdesk.com)