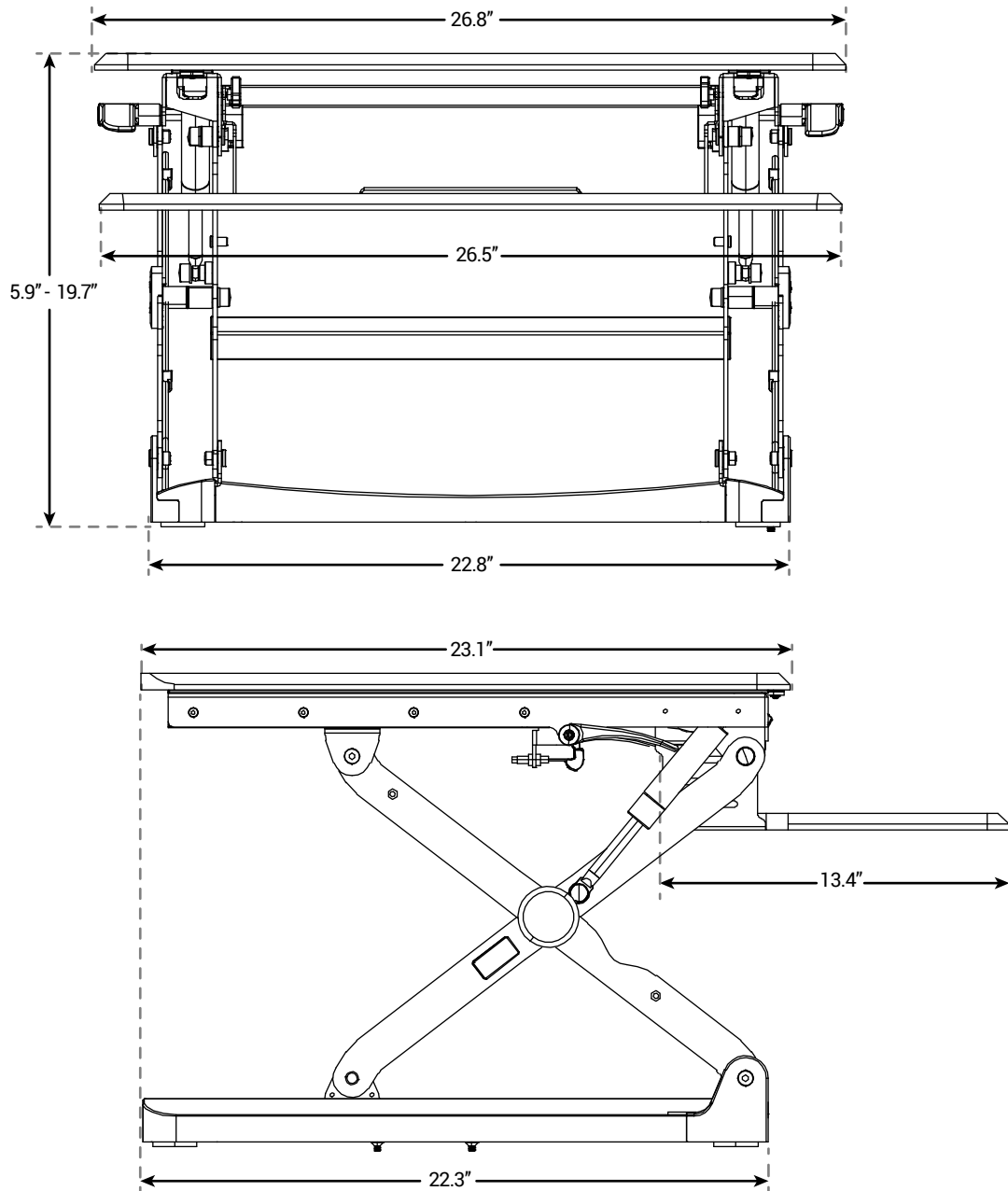


LIFT STANDING CONVERTER (small) UPLIFT DESK®

UDA110-SML



CAPABILITIES

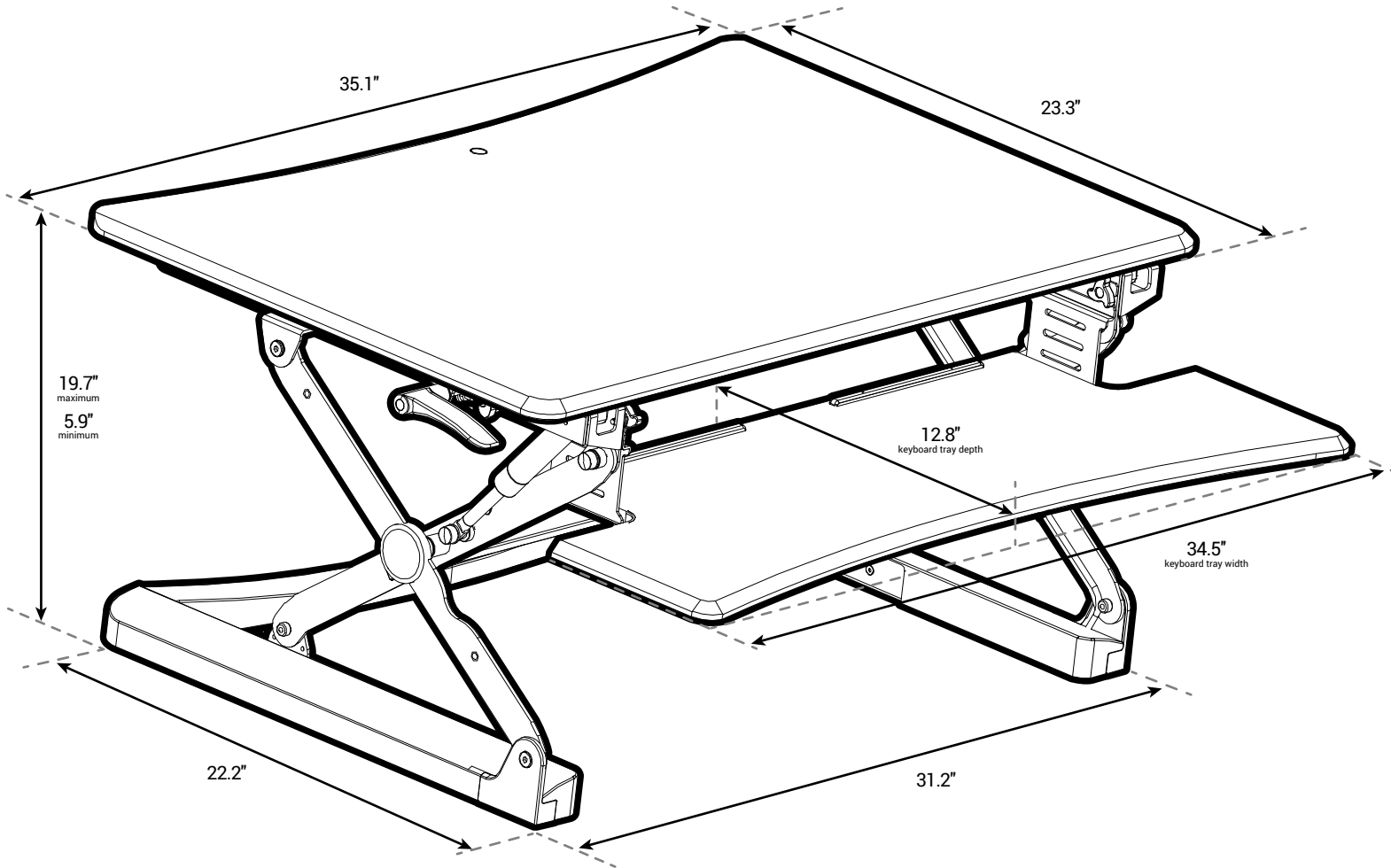
Main Unit Weight Capacity	33 lbs
Keyboard Tray Weight Capacity	4 lbs
Height Range	13.8"
Color	Black, White
Warranty	2 years

FEATURES

- Minimal assembly required, just attach the keyboard tray.
- Quickly converts your workstation into a sit-to-stand desk.
- No electricity needed.

LIFT STANDING CONVERTER (medium) UPLIFT DESK®

UDA110-MED



CAPABILITIES

Main Unit Weight Capacity	33 lbs
Keyboard Tray Weight Capacity	4 lbs
Height Range	13.8"
Color	Black, White
Warranty	2 years

FEATURES

- Minimal assembly required, just attach the keyboard tray.
- Quickly converts your workstation into a sit-to-stand desk.
- No electricity needed.