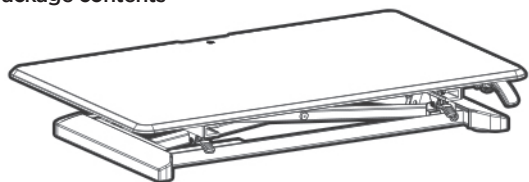


UPLIFT DESK[®]

XF Standing Desk Converter, Medium, Instructions
UDA116-MED

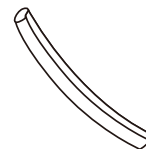
Package contents



Main unit



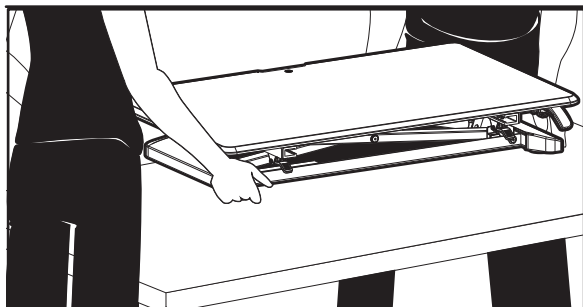
Keyboard tray



Velcro sheath
(qty 1)

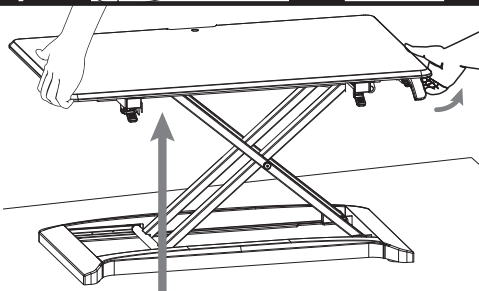


Cable mounts
(qty 4)



Step 1

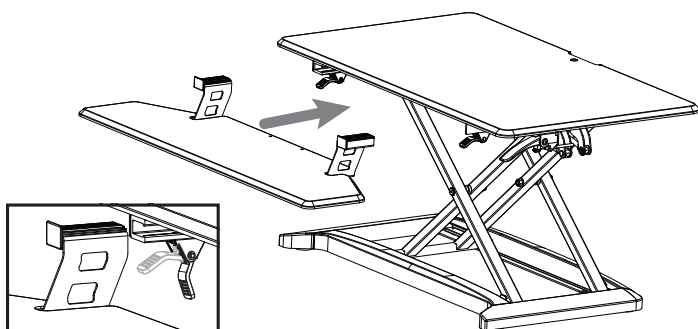
Unpack the box and verify the contents against the parts above. Clear off the surface you intend to use the unit on, and ensure there is at least 37" w by 29" d space for it. Two people should lift the Main unit and place it on the intended surface.



Step 2

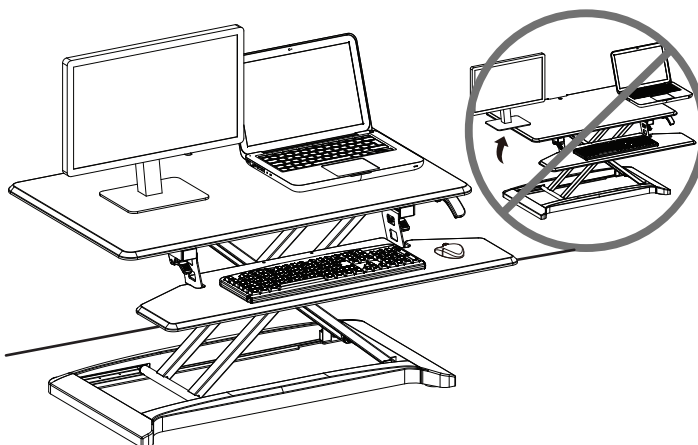
Raise the Main unit to a higher position so that you can easily access the space underneath. Grip the handle on the right side, squeeze, and lift.

It is advised you hold onto it with two hands as you raise and lower the worksurface.



Step 3

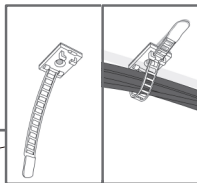
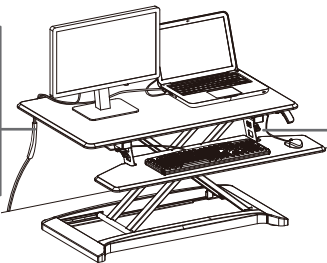
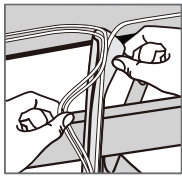
Unlatch the latches under your worksurface, and slide the Keyboard tray into the slots underneath the Main unit's worksurface. Once inside, flip the latches back up to secure the Keyboard tray.



Step 4

You can now add your devices and work items to the unit. Keep them centered and away from the edge of the main worksurface, to prevent them from falling.

Do not place your monitors on the edge of the unit.

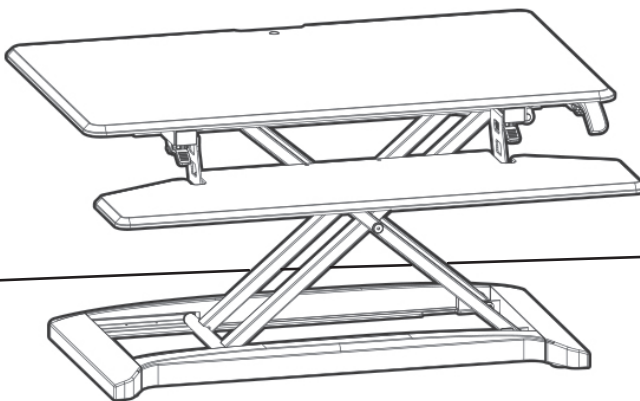


Step 5

Be mindful of any wires hanging from your worksurface. Keep them clear of the cross joints and tracks of the Main unit.

To gather several cables together, use the Velcro sheath. Open it and run your cables through it, then close. This will keep all cables together.

The Cable mounts can be placed on the back or under your table to further secure your cables and keep them from moving too much. Just make sure that there is enough slack in the wires to allow the unit to raise and lower without pulling your devices off the work surface.



CAUTIONS & WARNINGS



CAUTION: Read all instructions before assembly. Failure to assemble properly may result in damage or personal injury.



CAUTION: Keep hands clear during operation! Do not reach into the mechanism near the gas spring.



CAUTION: The maximum load capacity of the unit is 33 lbs for the upper worksurface and 4 lbs for the keyboard tray. Do not overload.



CAUTION: Keep devices centered and away from the edge of the main worksurface, to prevent them from falling.



CAUTION: Make sure that the wires for your devices have enough slack. This will prevent your devices from being pulled off the unit workstation when raising the unit.



CAUTION: When moving, remove all devices to avoid harm or damage, and adjust the unit to its lowest position.



CAUTION: When moving the unit, move it carefully with two people, to avoid injury and damage to the product and surroundings.

© **Copyright Notice:** These instructions are a component of the UPLIFT Desk XF Standing Converter, medium. These instructions are part of the scope of delivery, even if the item is resold. These instructions are also available on the UPLIFT Desk website: upliftdesk.com. Excerpts or copies may not be forwarded to third parties or used in any other published form without the prior written consent of UPLIFT Desk. These instructions are subject to United States copyright law.