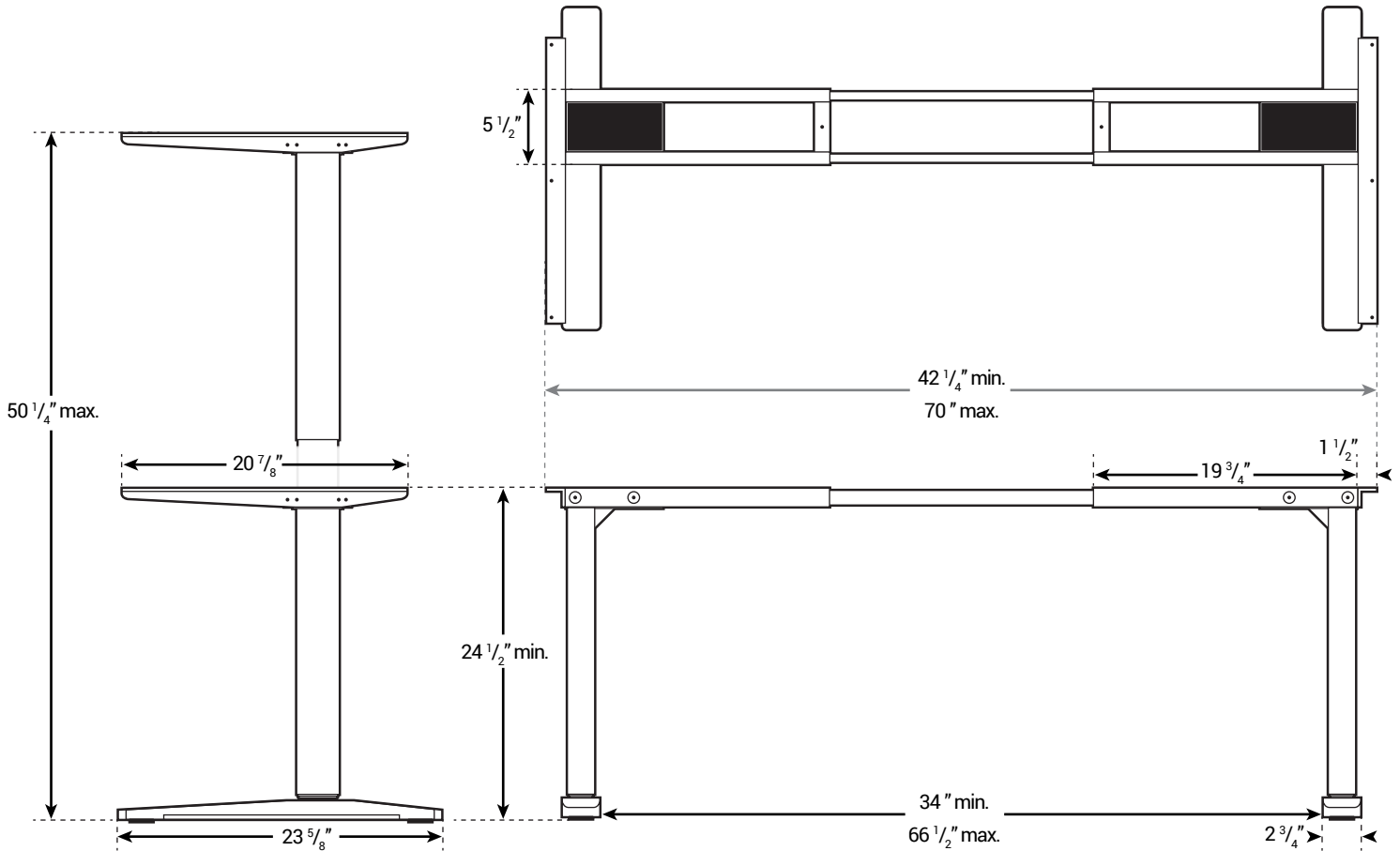


UPLIFT 2 LEG DESK FRAME

UPLIFT DESK®

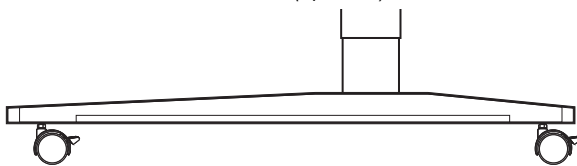
Specifications

* FOR DESKTOPS WITH A 24" DEPTH *



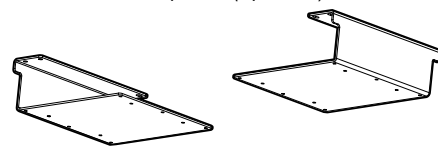
ADDITIONAL PIECES

Casters (optional)



gives the desk mobility, and adds 2" to overall height

Track Spacer (optional)



fits over and around the desk's crossbar rails, for use with Keyboard Trays and CPU Holders.

CAPABILITIES

Travel Speed	1.5"/second (varies depending on load)
Weight Capacity	355 lbs
Noise Level	50 decibels during motion
Adjustable Foot Levelers	3/8" adjustment for uneven flooring
Voltage	Input: 110V Output: 31V
Warranty	7-year All-Inclusive warranty (includes motor, frame, controller, keypad, electronics & mechanisms)

FEATURES

- Shorter feet for use on desktops 24" depth
- Features 26" of height adjustment, a quiet soft start and stop motor in each leg, and an energy saving low-draw transformer that doesn't use much electricity when not lifting or lowering the desk (this Green feature is not found on many other desks).
- Adjustable width telescoping base allows you to perfectly fit the base to your desktop and workspace
- Choose a standard push and hold up/down keypad, or upgrade to the advanced 1-touch digital memory keypad, featuring four programmable presets and an LED desk height readout in inches