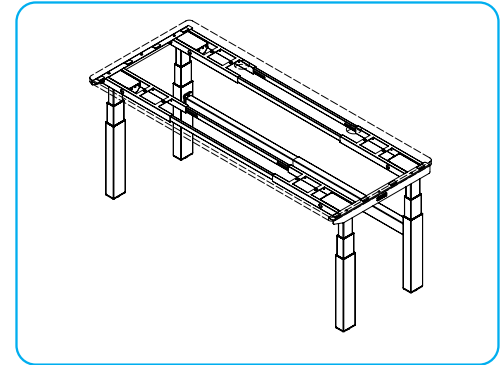
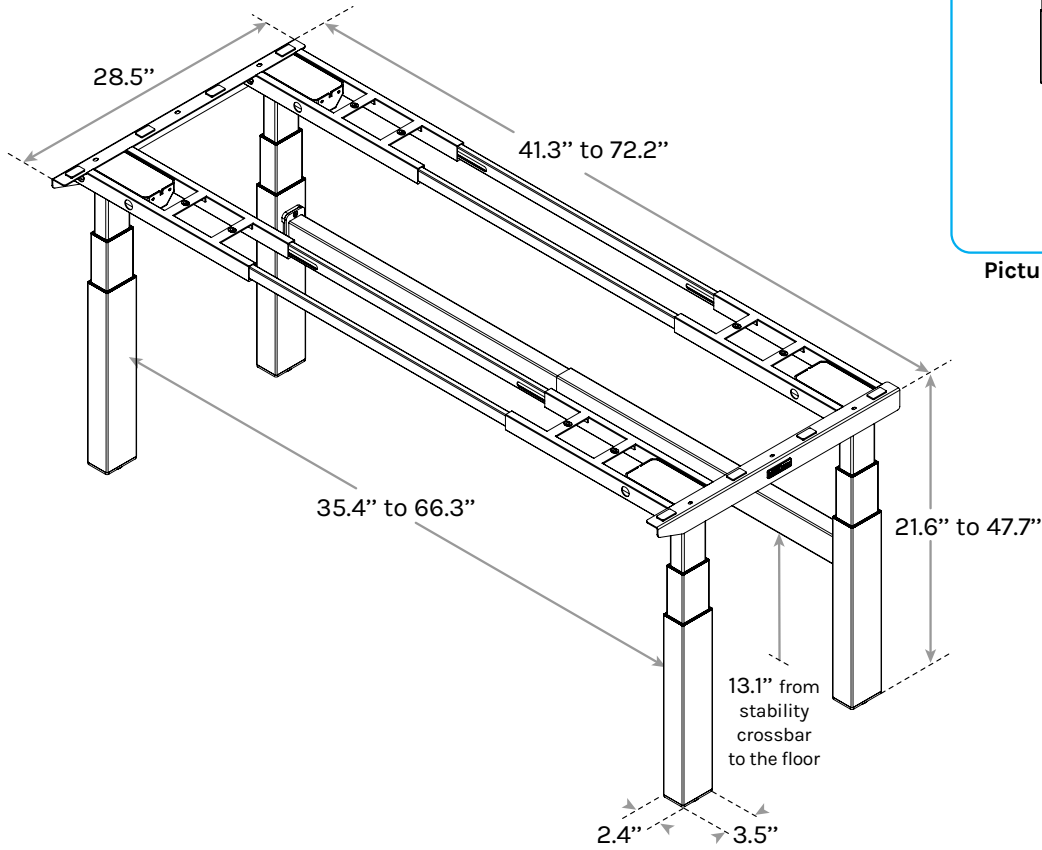


# UPLIFT V2-Commercial 4-Leg Standing Desk

SKU: FRMA-4

## Specifications



Pictured: frame and desktop placement



**Contract-grade  
Quality**

|                         |                               |
|-------------------------|-------------------------------|
| <b>Height Range</b>     | 21.6"-47.7"                   |
| <b>Travel Speed</b>     | 1.57"/second                  |
| <b>Noise Level</b>      | 50 dB                         |
| <b>Lifting Capacity</b> | 535 lbs                       |
| <b>Current</b>          | 5 amps max (during movement)  |
| <b>Voltage Input</b>    | 100-120Vac, 50/60Hz, 600W max |

**BIFMA** Meets BIFMA G1-2013 Height Standard



**Quad Motor Design**



**3-Stage Legs Are 33% Faster Than 2-Stage Legs**



**Superior Anti-Collision Sensitivity**



**Whisper-Quiet Adjustment**



**Stability Crossbar**



**Improved Stability with 33% Larger, Precision Tolerance Legs**



**Available in 4 Color Options**



**Included Under-Desk Wire Management**



**Meets BIFMA X5.5-2014 Durability Standard**



For help with assembly, see our assembly video at [upliftdesk.com/4leg-com](https://upliftdesk.com/4leg-com)

For technical questions and support call **800-349-3839**, email [info@upliftdesk.com](mailto:info@upliftdesk.com), or visit our chat service at [upliftdesk.com](https://upliftdesk.com)

**Warranty:** Most UPLIFT Desk products carry a 10-Year warranty (some carry a 5-Year or 1-Year warranty).

Visit <https://upliftdesk.com/warranty> for this particular product's warranty policy.