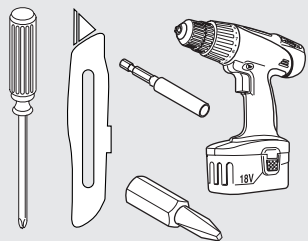




# campfire™ big table

Assembly Instructions

**tools needed**



**assembly video**



[myturnstone.com/campfire/instructions](http://myturnstone.com/campfire/instructions)

**time needed**



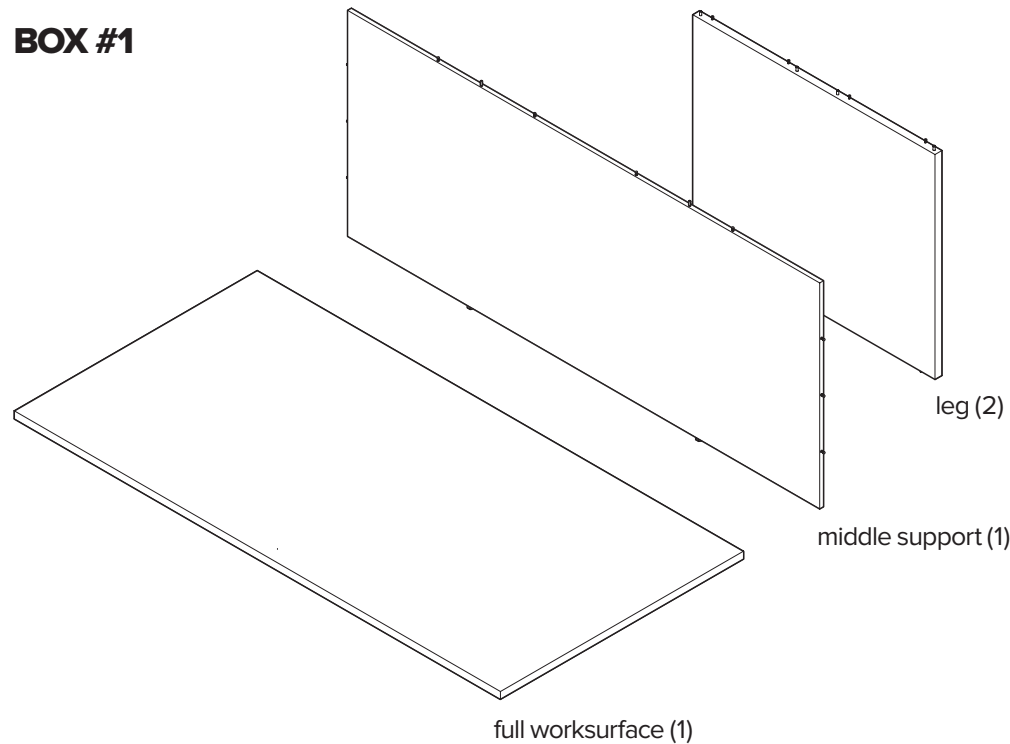
assemble time:  
**20 minutes**

**difficulty scale**

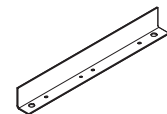


**Here's what's in the box**

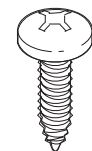
**BOX #1**



**BOX #2**



cabinet stops (8)



X screw (16)  
Size: #10 x 1.075"

**For assembly videos go to [myturnstone.com/campfire/instructions](http://myturnstone.com/campfire/instructions)**



# STEP

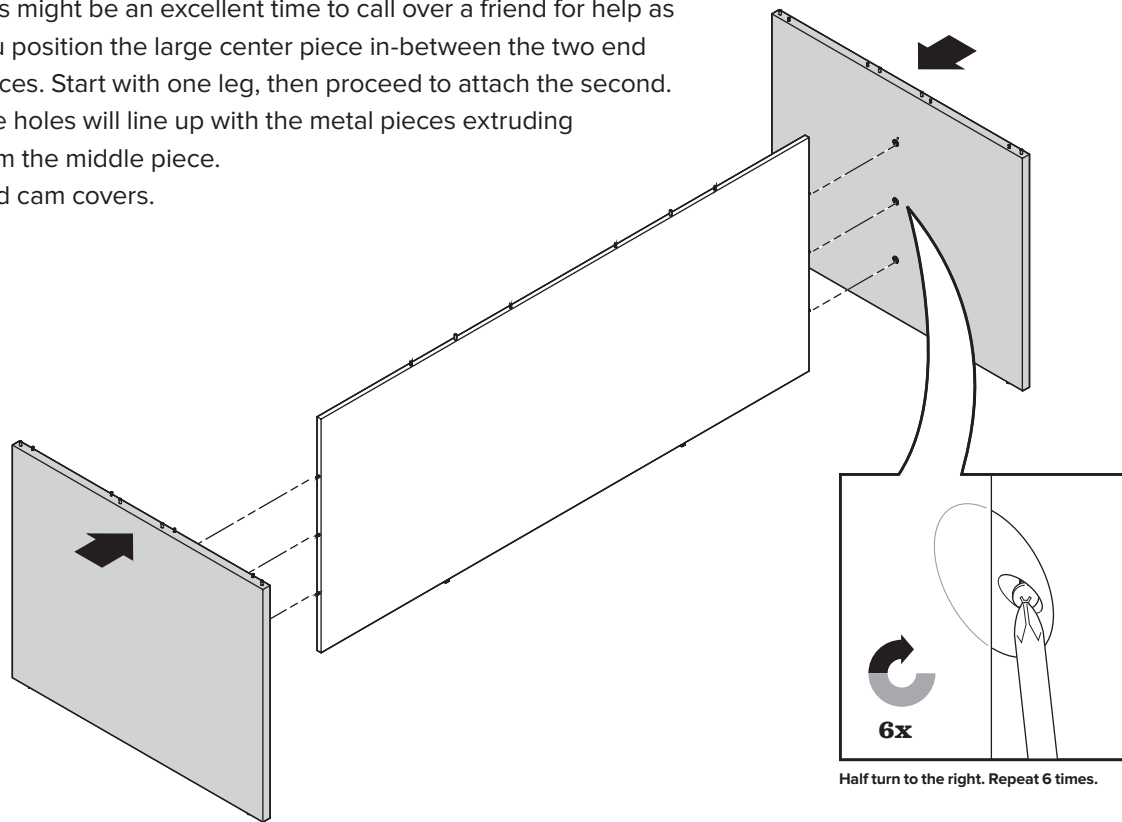
## 1

### Add legs.

#### tips

The big table is appropriately named... that's because it is, in fact, big. Because of this, we recommend you install it where you want it to stay.

- Find the two leg pieces and place upright.
- This might be an excellent time to call over a friend for help as you position the large center piece in-between the two end pieces. Start with one leg, then proceed to attach the second. The holes will line up with the metal pieces extruding from the middle piece.
- Add cam covers.



1

2

3

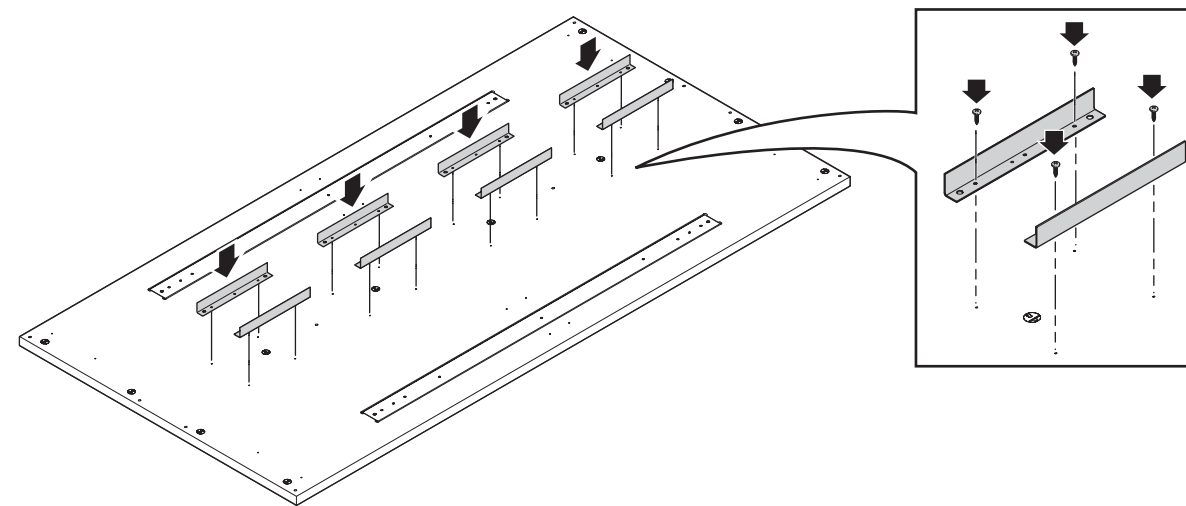
# STEP

## 2

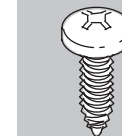
### Add cabinet stop brackets.

#### tip

Make sure the cam-locks on the bottom of the worksurface are open by turning them all the way to the left.



- With the worksurface still upside down, add the eight cabinet stop brackets.
- If you have purchased mobile storage cabinets to go under the big table, these brackets will allow the fronts of the cabinets to align flush with the table.



Use X screw.  
Size: #10 x 1.075"

1

2

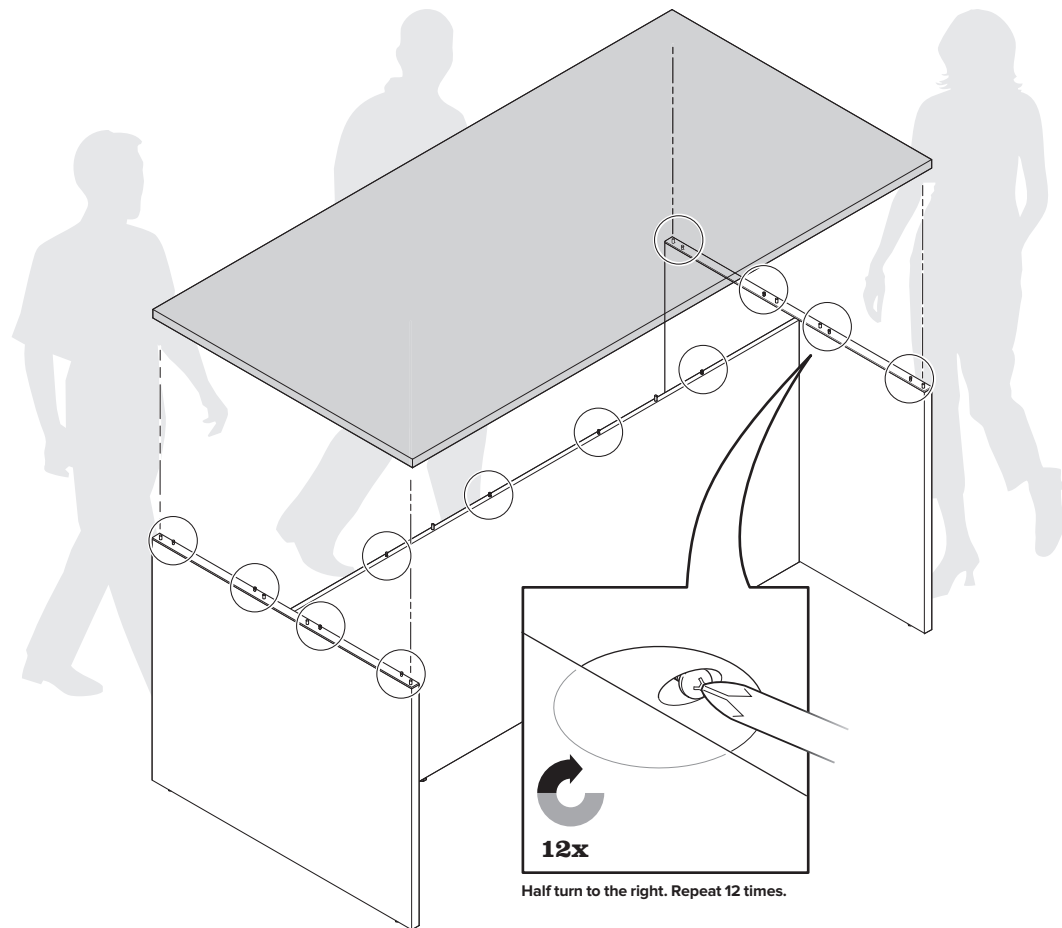
3

## STEP

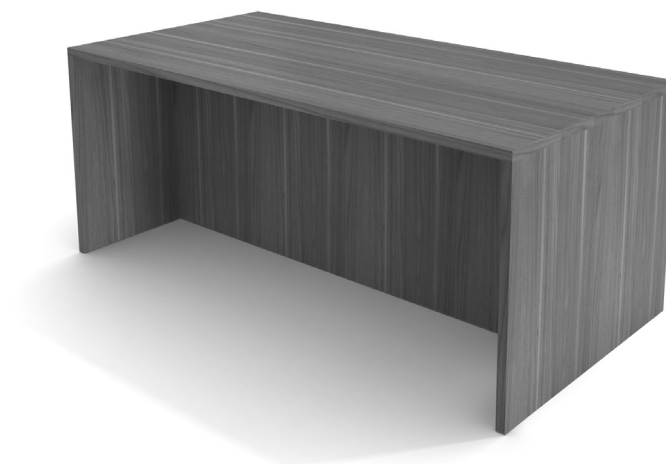
# 3

Place and secure  
worksurface.

- This is a good time to bring in some friends to help lift the worksurface onto the base.
- Carefully line up holes on the bottom of worksurface with the metal extrusions on the top of the base, then push the top down.
- After the worksurface top is in place, tighten the cam-locks underneath the table by turning them right a half turn. Repeat this 12 times on the remaining cam-locks.



Visit [myturnstone.com](http://myturnstone.com) to see more spots.



1

2

3



turnstone®



800.531.3746 • [info@thehumansolution.com](mailto:info@thehumansolution.com) • [thehumansolution.com](http://thehumansolution.com)

All rights reserved. ©2010 Steelcase Inc. Printed in the U.S.A. on recycled paper. ⓘ Data subject to change. Trademarks used herein are the property of Steelcase Inc. Some products and services may not be available in all countries. Your Turnstone representative can provide you with details.  
ad-stock ID 10-0003017. **Campfire Big Table Assembly Instructions: 11/10**  
engineering document 939500545 rev A.