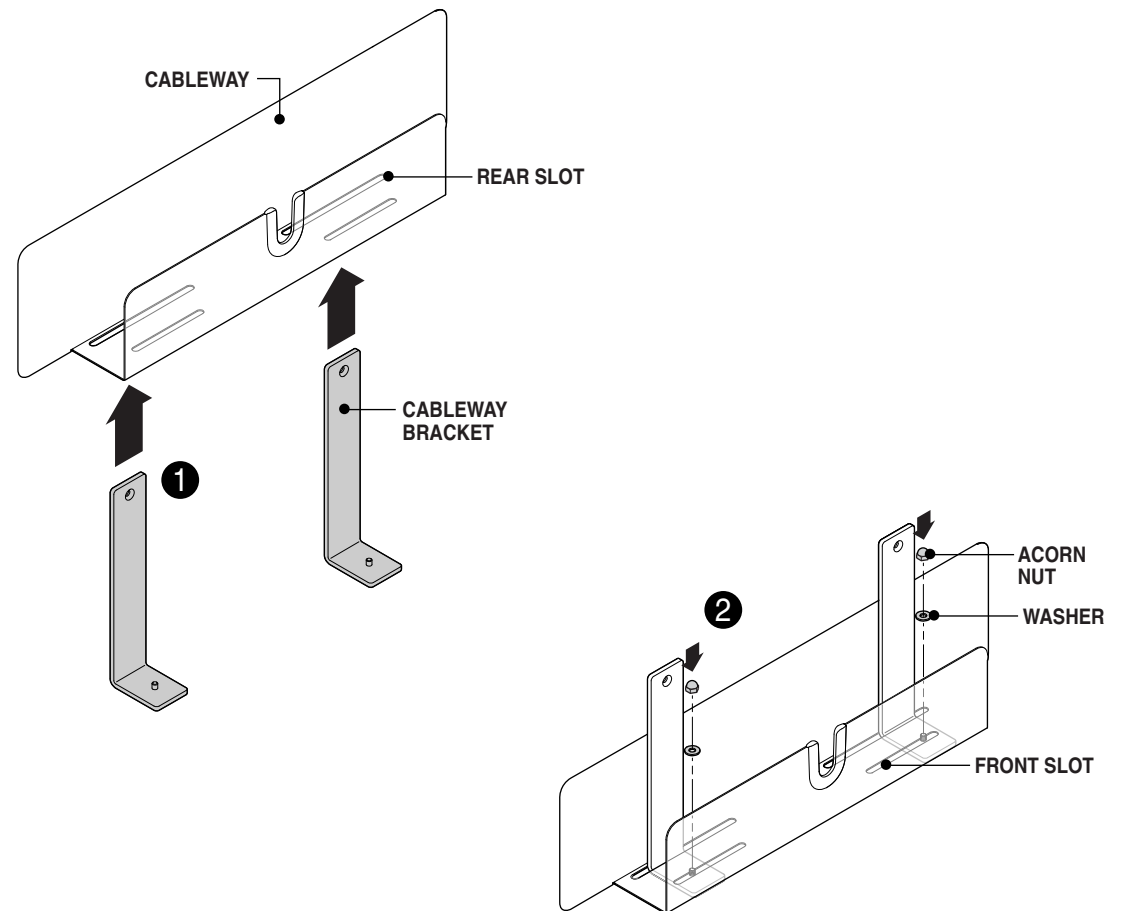
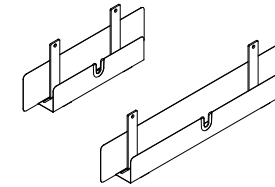


Cableway Application

This installation method is applicable for the following Cableways:

- 20" wide Cableway
- 30" wide Cableway

- 1 Insert each cableway bracket into rear slot on cableway.
- 2 Make sure threaded stud on each cableway bracket is engaged into front slots of cableway. Secure each cableway bracket using one (1) washer and one (1) acorn nut.



- 3 Insert screw into the cableway bracket.
- 4 Insert O-ring to the tip of the screw.
- 5 Orient flat side of cleat towards O-ring and partially install cleat on to the screw.
- 6 Make sure the O-ring is pressed against the face of the cleat. In step#7 as the screw is tightened, the friction exerted by O-ring against the cleat will cause the cleat to turn with the screw.
- 7 Attach cableway to rail by aligning cleats with rail slot. By tightening screw the cleat will tighten snugly.

