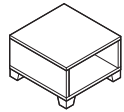


Jenny™ Coffee and End Tables

turnstone®



Coffee Table

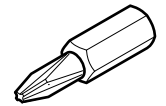
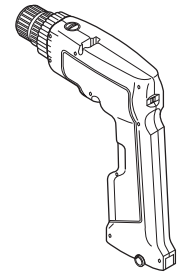
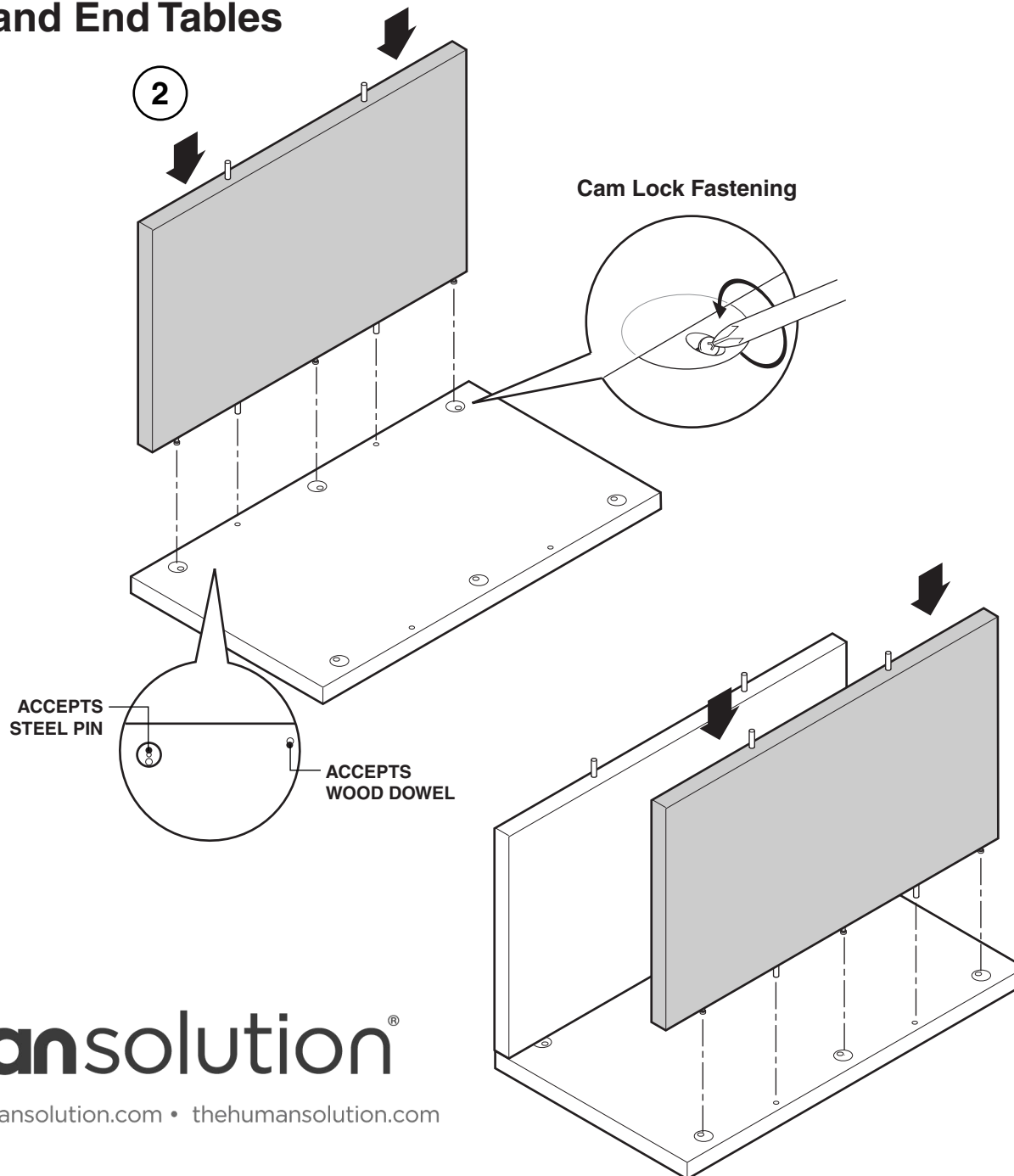


End Table

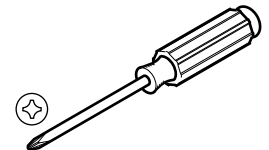
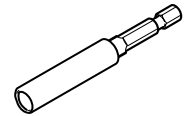
1. Lay top upside down on a clean, scratch resistant surface.

2. Insert the steel pins into the cam lock fasteners, while simultaneously inserting the wood dowel pins into the pilot holes of the top and tighten with a phillips screwdriver.

Repeat for the other side.



PHILLIPS DRIVE



800.531.3746 • info@thehumansolution.com • thehumansolution.com

© 2005 Steelcase Inc.
Grand Rapids, MI 49501 U.S.A.
Printed in U.S.A.

3. Insert the wood dowel pins into the pilot holes of the bottom (3a). Screw six (6) flat head screws through the countersunk clearance holes provided (3b).

4. Install block foot (4a) or metal foot (4b) into threaded insert with screw or stud.

5. Screw four (4) adjustable glides into the block foot of the bottom assembly.

