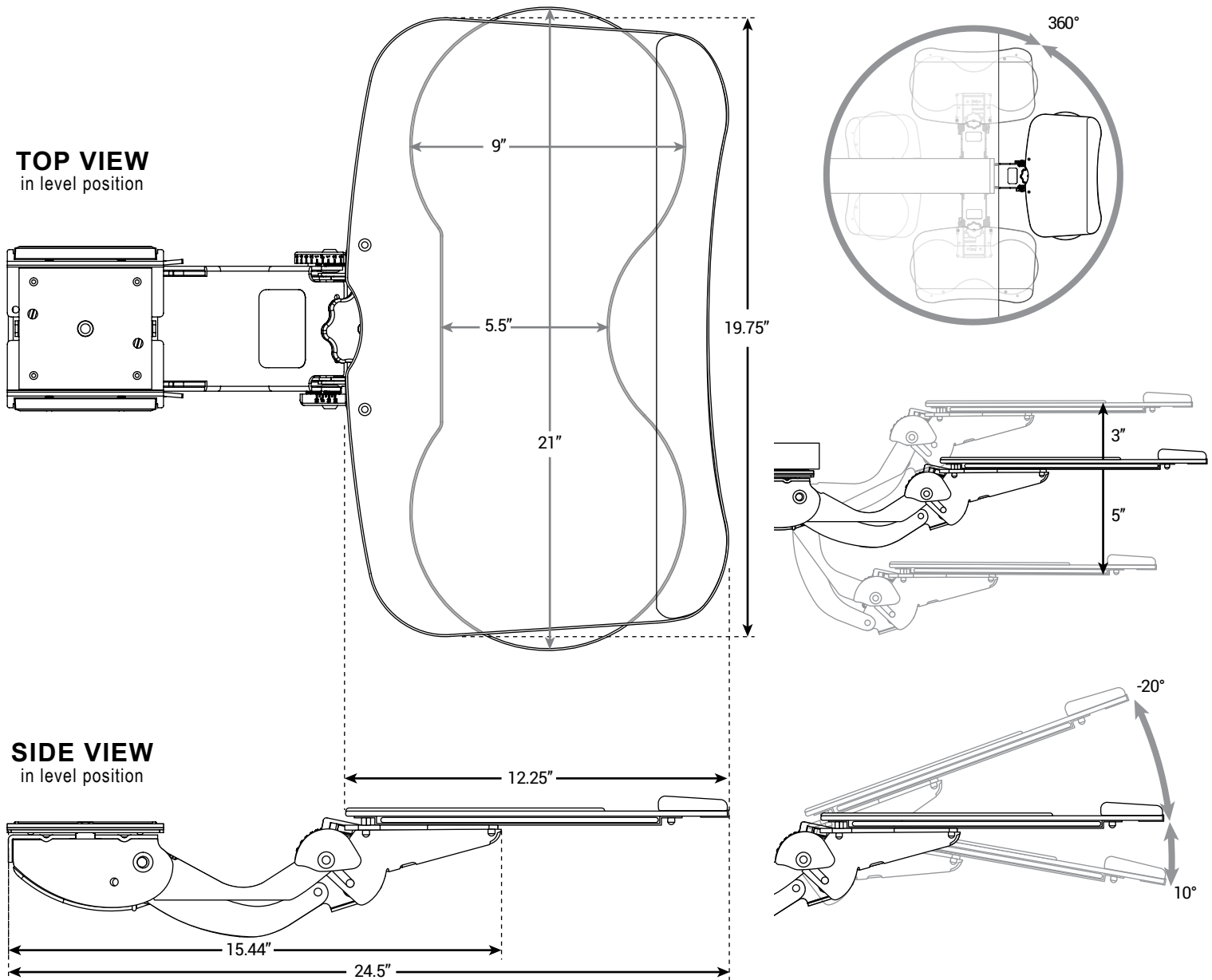


UPLIFT SWITCH KEYBOARD TRAY

UPLIFT DESK®

Specifications



CAPABILITIES

- Height Adjustment** 8" total (3" above track to 5" below)
- Tilt Adjustment** 20° negative to 10° positive
- Track Lengths** 21" L (standard)
11" L (for limited space)
- Swivel at Mechanism** 360°
- Warranty** 5 years

FEATURES

- Comes standard with removable wrist rest, mouse pad, and cable management organizer
- Features mousing platform that easily slides through the tray from left to right for ambidextrous use
- Generous height adjustment range, adjusted without the use of levers or knobs, including a tilt feature for negative and positive tilt
- Meets ANSI / BIFMA standards and manufactured in the USA