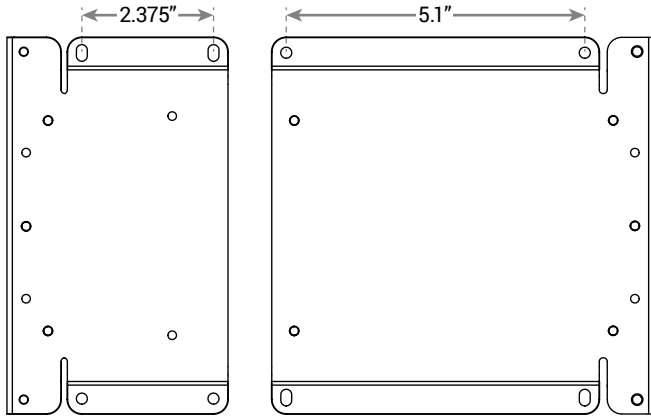


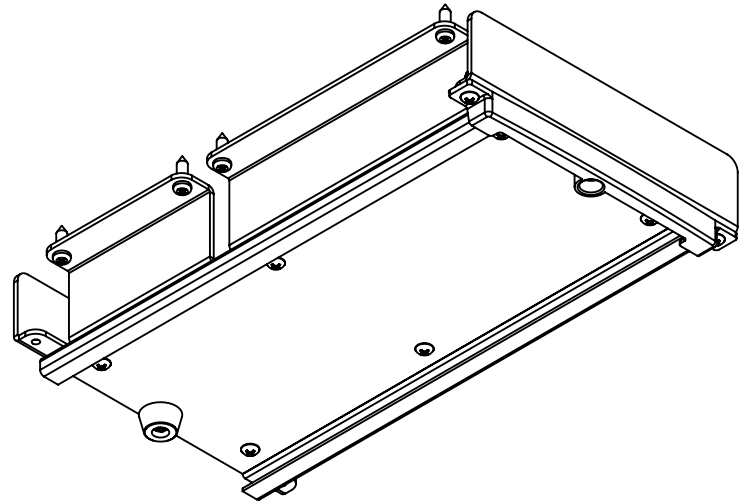
UPLIFT TRACK SPACER

Specifications

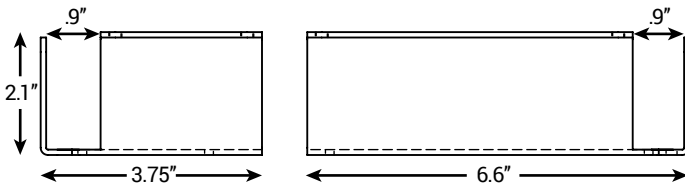


BOTTOM VIEW

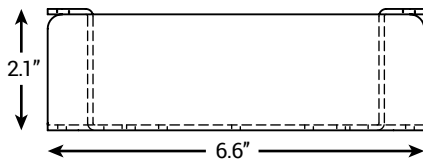
Looking up at the parts, attached to the desk



pictured here with an 11" keyboard tray attached.



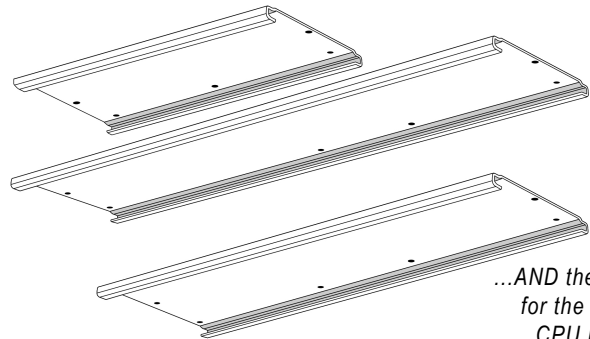
SIDE VIEW



FRONT VIEW

ADDITIONAL PIECES

Can be used with the 11" or 22" UPLIFT Keyboard Tray tracks...



...AND the 16" track for the UPLIFT CPU Holder.

CAPABILITIES

Weight Capacity 50 lbs

Track Length Accommodates 11", 16" & 21" L

FEATURES

- Designed to work with your existing parts such as the 11" or 22" keyboard tray track, or the 16" CPU Holder track
- Mounts to the underside of your desk via mounting hardware and existing parts
- Durable black textured powder-coated steel frame can hold CPU and keyboard tray up to 50 lbs
- Will only take up 2 inches of space underneath desktop