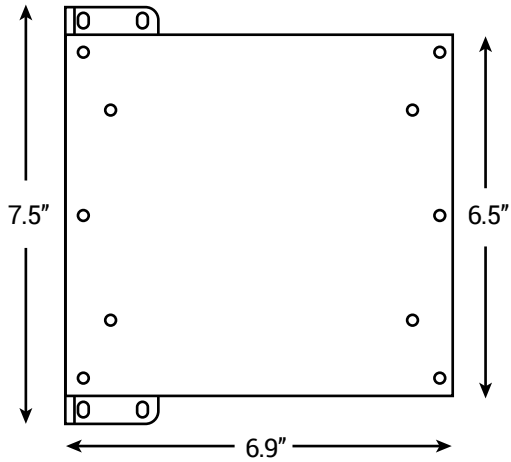


UPLIFT TRACK SPACER

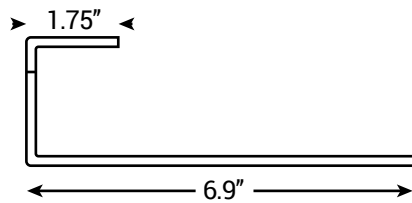
UPLIFT DESK®

Specifications

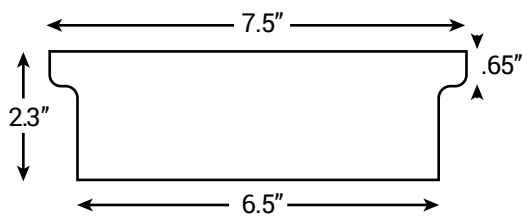


BOTTOM VIEW

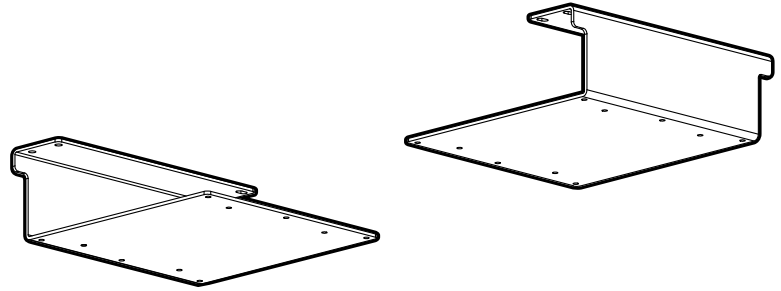
As it is attached to the desk



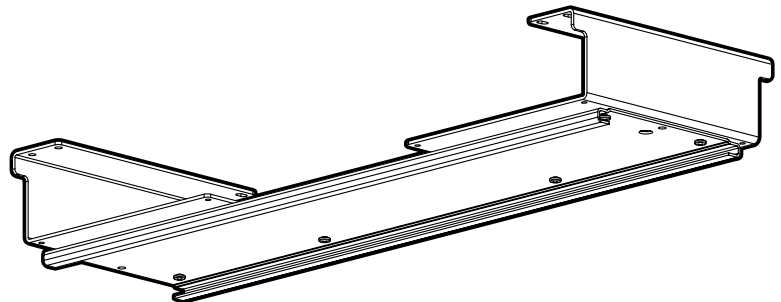
SIDE VIEW



FRONT VIEW



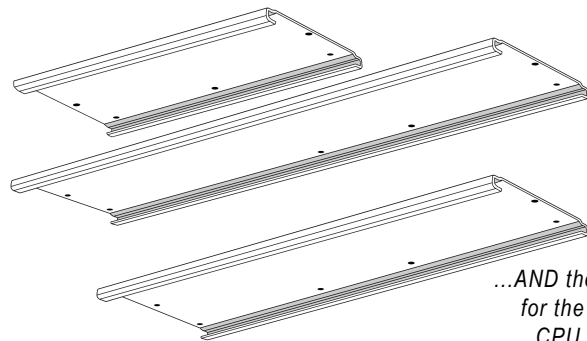
Each Bracket is the same size



Pictured: both brackets with a track attached.

ADDITIONAL PIECES

Can be used with the 11" or 22" UPLIFT Keyboard Tray tracks...



...AND the 16" track for the UPLIFT CPU Holder.

CAPABILITIES

Weight Capacity 50 lbs

Track Length Accommodates 11"-21" L

FEATURES

- Designed to work with your existing tracks of various sizes. The 11" and 22" keyboard tray track, and the 16" CPU Holder track
- Mounts to the underside of your desk via mounting hardware and existing parts
- Durable black textured powder-coated steel frame can hold CPU and keyboard tray up to 50 lbs