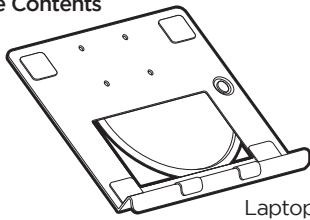


# Range Laptop Mount

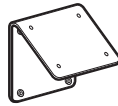
SKU: UPL023

UPLIFT DESK

## Package Contents



Laptop tray



Tray mount



Elastic belt  
(qty 2)



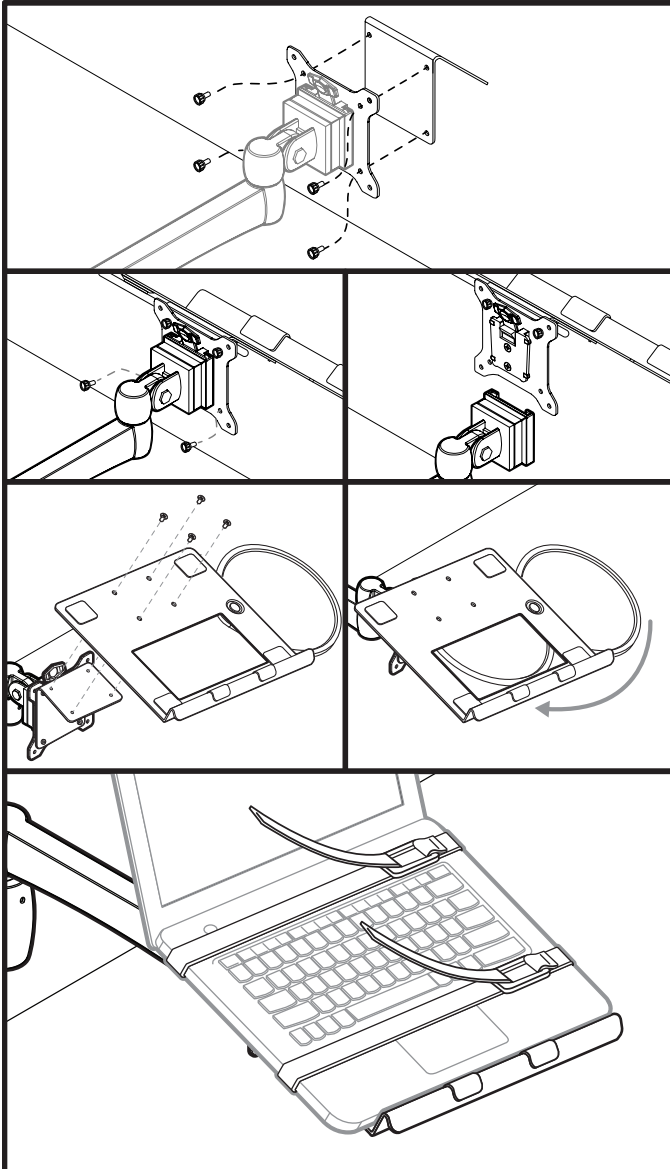
M4 Plastic screws  
(qty 4)



M4 Countersunk screws  
(qty 4)



Screwdriver



### Step 1

Fasten the laptop mount to the VESA plate of the monitor arm using the four M4 Plastic screws. Next, tighten the screws by hand.

**Note:** If you have a Monitor arm with a Quick-release VESA plate, you may need to remove the bottom two M4 Plastic screws in order for the Quick-release function to work properly.

Remove the M4 Plastic screws before removing the assembly, and replace them after putting the assembly back on the Monitor arm.

### Step 2

Rotate the mouse platform out from behind the Laptop tray. Next, fasten the Laptop tray to the Tray mount using the M4 Countersunk screws. Tighten the screws with a screwdriver.

Once the Laptop tray is secure, the Mouse platform may left out in position for immediate use, or rotated back behind the Laptop tray if not in use.

### Step 3

Wrap the Elastic belts around the Laptop and Laptop tray to secure it in place.

## ⚠ CAUTIONS & WARNINGS

**⚠ CAUTION:** Read all instructions before assembly. Failure to assemble properly may result in damage or personal injury.

© **Copyright Notice:** This guide is a component of the Range Laptop Tray. This guide is a part of the scope of delivery, even if the item is resold. This guide is also available on the UPLIFT Desk website: [upliftdesk.com](http://upliftdesk.com). Excerpts or copies may not be forwarded to third parties or used in any other published form without the prior written consent of UPLIFT Desk. These instructions are subject to United States copyright law.