

UPRITE™ ERGO

SIT2STAND



Easily move from sitting to standing in seconds

SIT2STAND WORKSTATION

Convert an existing desk or table into a high-quality and affordable sit to stand workstation and effortlessly go from sitting to standing in seconds. Transform your existing workspace to a **Sit2Stand Workstation** and immediately benefit from motion and mobility in the work place.



Slide in / slide out work surface for note-taking, additional storage and desktop organization.

- Assembles in minutes
- No special tools needed
- Single and dual monitor options
- Stylish color combinations
- 12 month warranty



Easy to slide on the desktop, allowing easy transition between workstation & conventional desk.



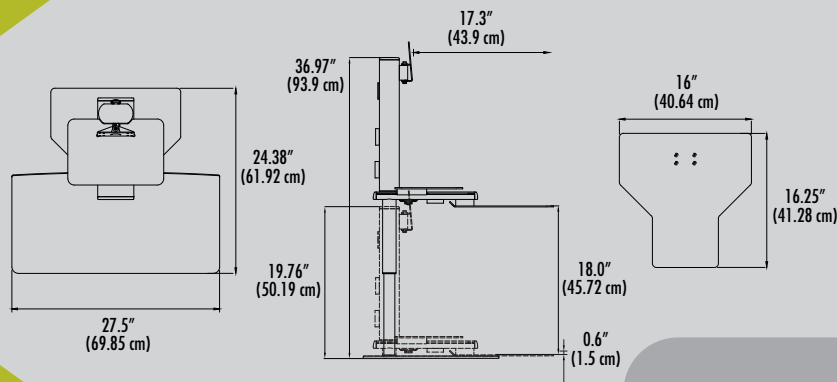
Features

- 18" (45.7 cm) of vertical height adjustment to accommodate the majority of individuals heights.
- Small footprint that can slide effortlessly out of the way to free up desk space.
- 27.5" (69.9 cm) keyboard tray allows space for full size keyboard and mouse.
- Slide in / slide out work surface for additional workspace and storage.
- Convenient rear cable management clips in column and crossbar keep cables organized and out of view (shown above).
- Single action quick release adjustment from sitting to standing.
- Locking actuator maintains the unit firmly in position at any height.
- Telescoping upright column promotes a low profile unit in the seated position.
- Durable anodized and powder coated aluminum and steel surfaces (over 95% of components are recyclable).

Single and Dual Monitor Options.

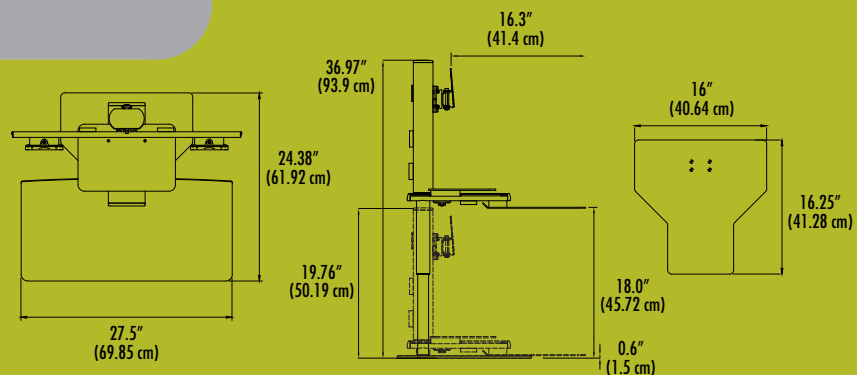


Available in silver/white or black/black.



SINGLE MONITOR DIMENSIONS

DUAL MONITOR DIMENSIONS



Specifications

- Vertical Height Adjustment - 18"
- Monitor mounting – VESA 75mm and 100mm (optional monitor stand)
- Monitor capacity:
 - Standard – 3.5lbs to 11lbs (1.6kg to 5kg)
 - Dual – 6.5lbs to 21lbs (3kg to 9.5kg) total
 - Other capacities available upon request.