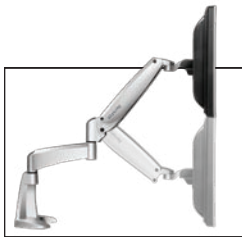


## Workrite Poise™

Flat Panel Monitor Arm Supports



*Parallel mechanism keeps screen ergonomically correct*



*Spans the deepest desk then folds down to just 4"*



*Increase productivity with dual monitor configurations*



*Tension guides are easy to read and adjust*

### Change the Way You See Your Work

A simple touch with your fingertip will easily change the position of the Workrite Poise while the monitor remains perfectly parallel.

#### Parallelogram Design—For Ease of Adjustment

The Workrite Poise monitor arm features a parallel linkage design with adjustable pneumatic counter balance that floats the monitor above the work surface.

#### Ergonomic User Flexibility

The Workrite Poise monitor arm adds a range of adjustment to meet users' need for visual acuity and individual user preference that is unmatched in the industry.

- 360° rotation at the mounting base and first extension allows folded storage as shallow as 4"
- 180° rotation at the monitor connection for positioning and collaboration
- 12" vertical height range to meet individual users height requirements
- Monitor rotates from portrait to landscape with rotary stops to prevent cable damage
- Monitor tilt of 180° (70° back and 90° forward) to support touch screen application and special needs for users with disabilities and reclined usage

#### Dual Screen Support

Dual arms best fit corner worksurfaces where mounting is located forward of the rear of the worksurface using the grommet mount to allow full articulation. The Poise-Dual is not recommended for straight work stations that require storage of the monitor against the wall.

#### Convenience Features

The Workrite Poise has several thoughtful features built in. Graphic indicators are molded into the arm to assist in adjustment long after the assembly instructions have gone away. The cable management system from the base to the monitor neatly organizes cables out of sight. Optional features include multiple mounting options as well as extension and quick release monitor bracket for installation flexibility.

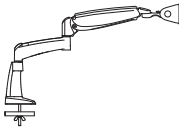
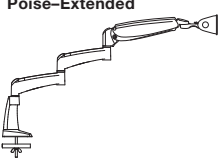
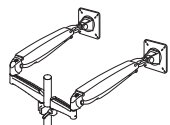
*At Workrite we believe every body has a right to work comfortably and safely for maximum productivity. You can trust Workrite, as 75% of Fortune 100 companies have, for solutions that fit today's diverse range of workers.*

# Workrite Poise Flat Panel Monitor Arm Supports

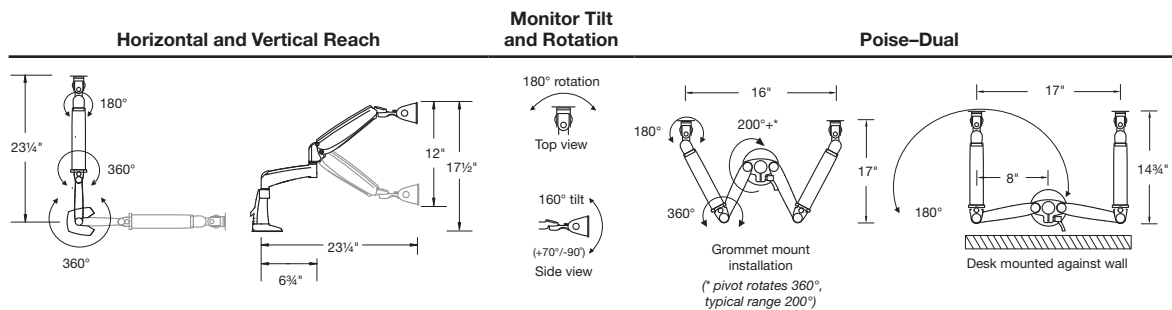
## When adjustability, durability and visual comfort are key

With a 360° rotation, monitor can be changed quickly from landscape to portrait orientation. Workrite Poise will support monitor arms from seven to 22 lbs., including most common monitors from 17" to 24".

Specifications	Poise	Poise-Extended	Poise-Dual
Reach	23¼"	30¼"	23¼" (two arms)
Tilt Range	160° tilt range (+70°/- 90°)	160° tilt range (+70°/- 90°)	160° tilt range (+70°/- 90°)
Height Range	12"	12"	12" + 7" on pole
Pivot at Base/Extension/Monitor	360°/360°/180°	360°/360°/180°	360°/360°/180°
Stored Depth	4"	4"	4"
75mm / 100mm VESA Mount	X	X	X
Accessories	Quick Release Adaptor, Extension Arm	Quick Release Adaptor	Quick Release Adaptor

	Mounting	Color	Model #	Type*	Weight	
 <p><b>Poise</b></p>	C-Clamp, Grommet mount (shown)	silver	<b>PA1000-S</b>	- [1]	12	
		graphite	<b>PA1000-B</b>	- [1]	12	
	Wall mount & other tool bar & panel systems †	silver	<b>PA1000-WM-S</b>	- [1]	11	
		graphite	<b>PA1000-WM-B</b>	- [1]	11	
	† NOTE: Must order panel system mount separately, see Pricing & Specification Guide					
	Slatwall bracket mount	silver	<b>PA1000-SW-S</b>	- [1]	11	
graphite		<b>PA1000-SW-B</b>	- [1]	11		
Sierra Tool bar & Privacy Panel	silver	<b>PA1000-ST-S</b>	- [1]	11		
	graphite	<b>PA1000-ST-B</b>	- [1]	11		
 <p><b>Poise-Extended</b></p>	C-Clamp, Grommet mount	silver	<b>PA1500-DB-S</b>	- [1]	13	
		graphite	<b>PA1500-DB-B</b>	- [1]	13	
 <p><b>Poise-Dual</b></p>	C-Clamp mount	silver	<b>PA2000-C-S</b>	- [1]	18	
		graphite	<b>PA2000-C-B</b>	- [1]	18	
	Grommet mount	silver	<b>PA2000-G-S</b>	- [1]	17	
		graphite	<b>PA2000-G-B</b>	- [1]	17	

\* NOTE: Specify Type - [1] for monitors weighing 7 lbs. to 15 lbs.  
- [2] for monitors weighing 10 lbs. to 22 lbs.



800.531.3746 • info@thehumansolution.com • thehumansolution.com

