



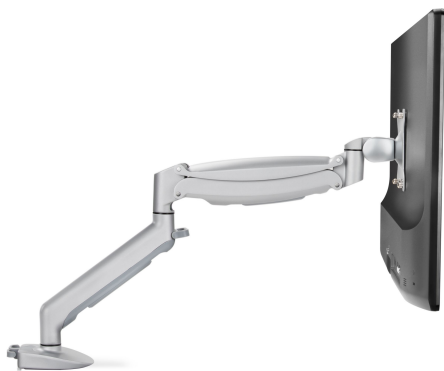
Zilker Monitor Arm

The Zilker Monitor Arm also comes in single and dual monitor options, to help keep one or both of your displays at the perfect height. With integrated cable management, a generous weight range, and a quick-release VESA mount that allows you to install your screen quickly and easily, the Zilker is an all-in-one monitor mounting solution. This arm also allows for the addition of a laptop mount. See the chart below for more information.



Range Monitor Arm


We designed the Range Monitor Arm for fingertip adjustability and a wide "range" of positions, helping you create an ergonomically correct sit-stand workspace. Adjust the height, tilt, distance, and alignment of your monitor to reduce stress on your neck, shoulders, and torso—and to keep your eyes from straining to see a monitor that is too far away. The Range is available in both single and dual configurations, with tool-free monitor attachment (using VESA plates) and built-in cable management.






Horizon Monitor Arm

The Horizon Monitor Arm provides pneumatic height adjustments via a built-in gas cylinder located in the arm. Enjoy the freedom to rotate, tilt, pan, and adjust to your most comfortable working levels with the touch of a finger. With the dual monitor option, you can position your screens independently of each other and route cords within its cable management system. See the chart below for more information.



 For technical questions and support call **800-349-3839**, email info@upliftdesk.com, or visit our chat service at upliftdesk.com

Comparison Chart

Model	Zilker Monitor Arm	Range Monitor Arm	Horizon Monitor Arm
Weight Capacity (per arm)	4.4-11 lbs	4.5-17.5 lbs	9-18.7 lbs
Max Monitor Size (recommended)	28"	28"	27"
Height Adjustment Range	Single: 6.75" to 19" Dual: 6.88" to 19.38"	Single: 4.25" to 18.75" Dual: 4.75" to 21"	Single: 6.5" to 16" Dual: 7" to 16"
Forward Reach	20"	26.25"	23.26"
Side Extension	17.75"	23"	21.1"
Arm Pivot	360°, 180°	360°, 180°	360°, 180°
Monitor Tilt Range	60° (+/-30°)	160° (+90°/-70°)	120° (+90°/-30°)
Monitor Pan Range	180° (+/-90°)	180° (+/-90°)	180° (+/-90°)
Monitor Rotation	360°	360°	360°
VESA Compatibility	75 mm & 100 mm	75 mm & 100 mm	75mm & 100mm
Mounts	Clamp or Bolt-through [included]	Clamp or Bolt-through [included]	Clamp or Bolt-through [included]
Material	Aluminum, Steel, & Plastic	Aluminum, Steel, & Plastic	Aluminum, Steel, & Plastic
Single or Dual	Single & Dual	Single & Dual	Single & Dual
Available Colors	Black, Gray, White, & Metallic (Industrial Style)	Black, Gray, & White	Black, & Silver
Laptop Mount Compatible			




**5-year
Warranty**



Get a closer look at our **monitor arms and other desk accessories** by visiting our youtube channel [here!](#)



For tips and tricks on **how to position your screen ergonomically** using a monitor arm, find our guide [here!](#)

 For technical questions and support call **800-349-3839**, email info@upliftdesk.com, or visit our chat service at upliftdesk.com